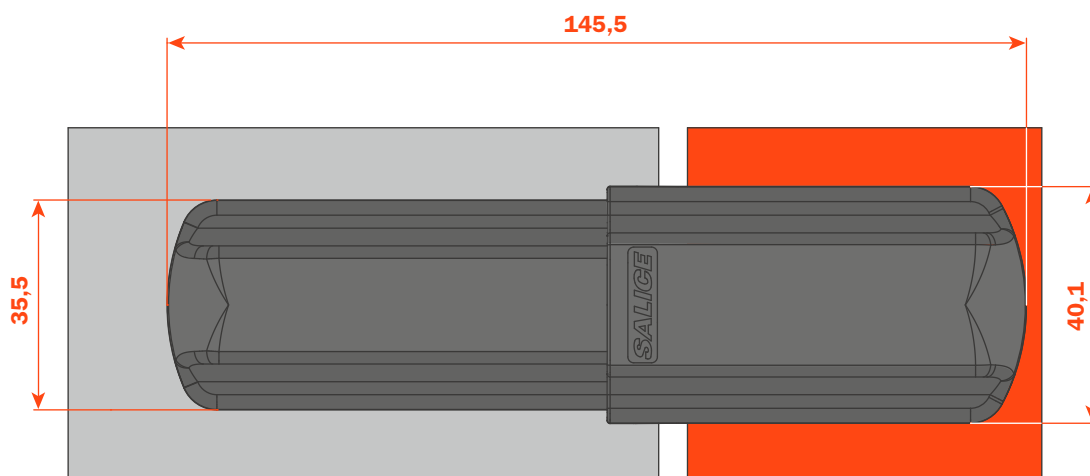
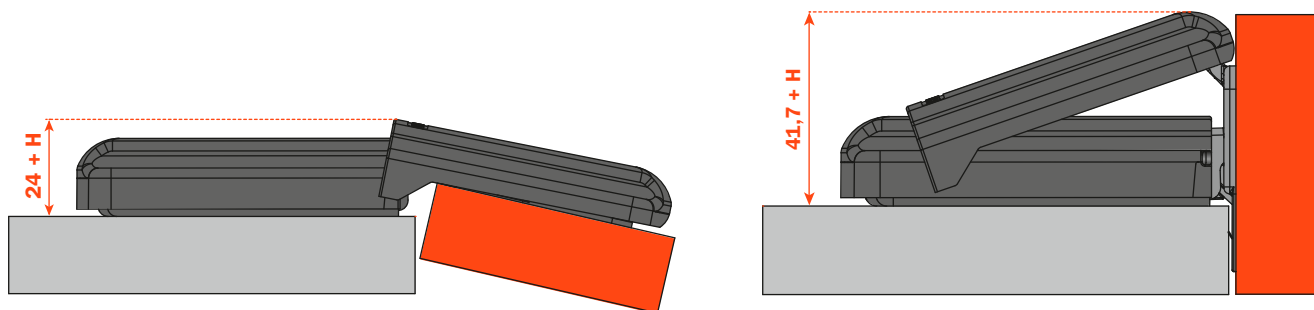


Technical information • overall dimensions

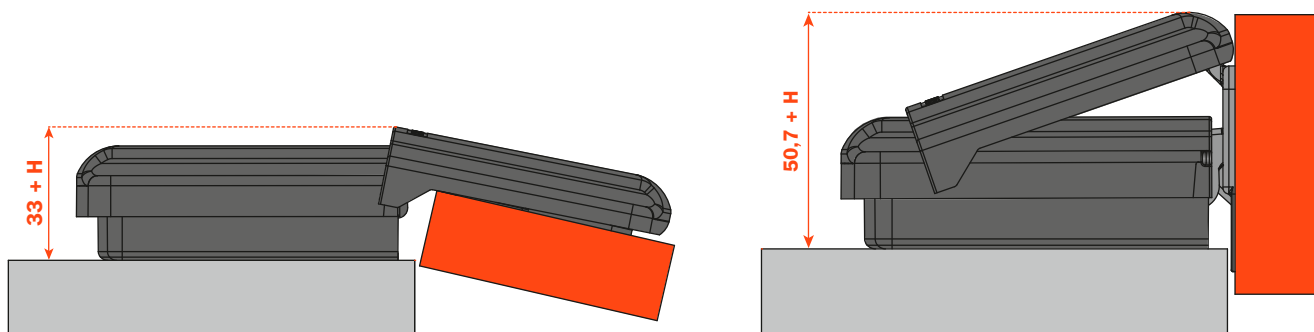


Lapis hinge - 0 arm - 0 mounting plate



H = mounting plate height

Lapis hinge - 9 arm - 0 mounting plate



H = mounting plate height

Assembly instructions

After attaching the mounting plate, attach the skirt.



Attached skirt.



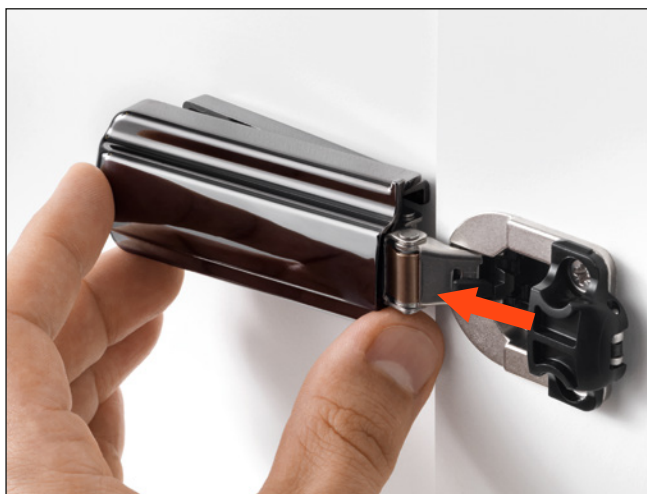
Clip the hinge onto the mounting plate.

ATTACHMENT OF THE HINGE ARM COVER



Clip the cover onto the hinge arm.

Press to clip the cover.



ATTACHMENT OF THE DOOR SIDE COVER

Lift the carrier.



Half-close the door to ensure that the covers are engaged correctly.



Disassembly instructions

Half-close the door and lift the cover.

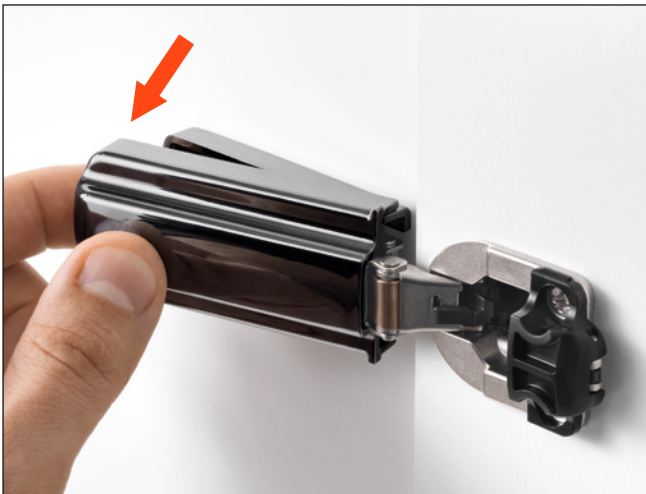


Remove the cabinet side cover.

Open the door and push the cover firmly in the direction indicated.



Unclip the hinge from the mounting plate.



Remove the skirt.

