

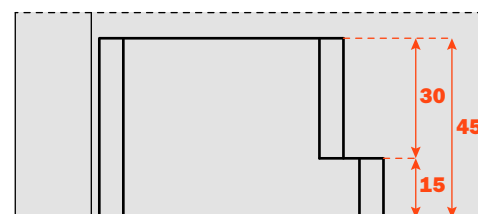
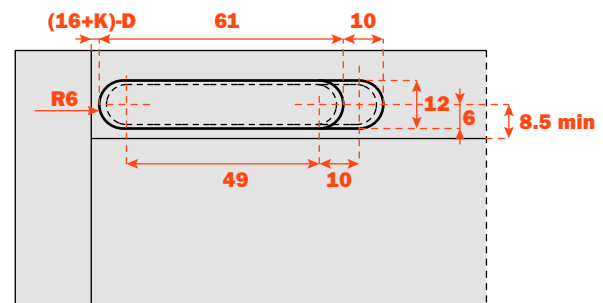
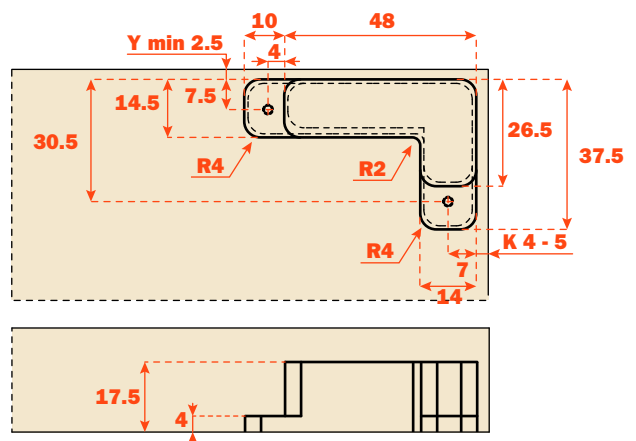
Workings on the wooden door for holders

Air can be equipped with holders for the hinge cup and arm. The holders are inserted respectively into the door and the cabinet and make the insertion of the hinge easier as well as hiding any surface imperfections caused by the machining of the cabinet.

The holder for the arm, which is inserted into the panel, provides additional support for Air when it is used in thinner materials. We recommend the use of a low-expansion, single-component polyurethane adhesive, suitable for bonding wood to metal.

Moreover, to supplement the adhesive bond, it is possible to insert two 3.5x20 screws (not supplied) through the bottom of the holder.

The holders are available in two colours, for hinges with nickel-plated and titanium finish.

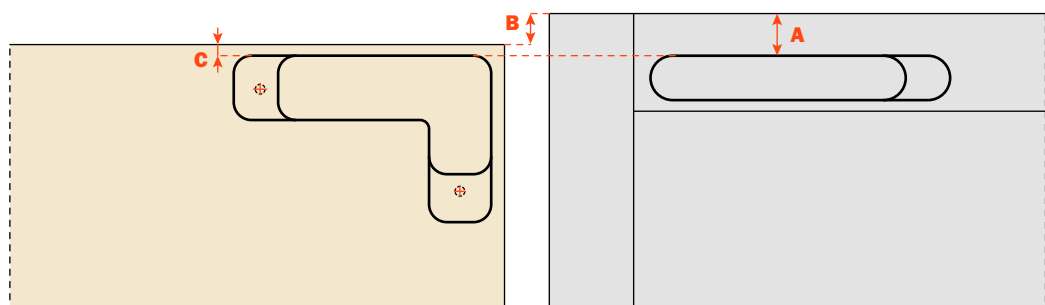


Formulas to determine the distance for the insertion of the holders for arm.

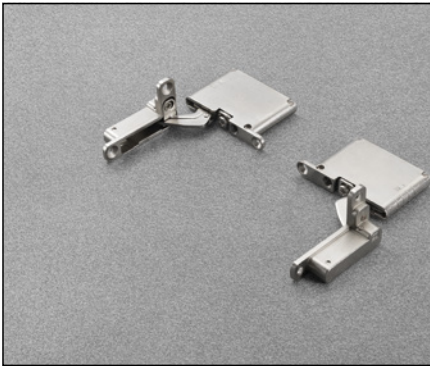
$$A = B + C$$

$$B = A - C$$

$$C = A - B$$

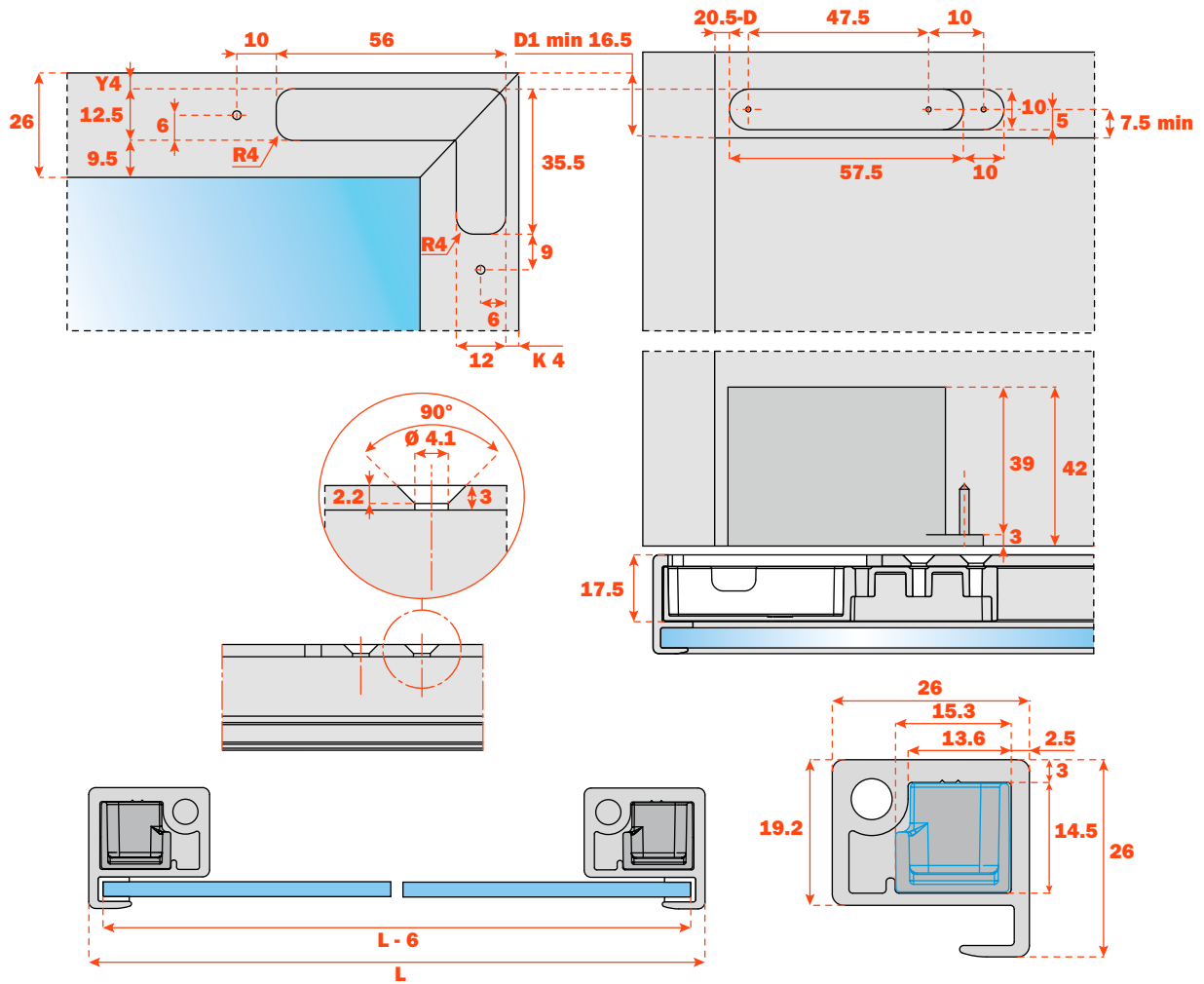


Air - Workings on the aluminium-framed doors for holders

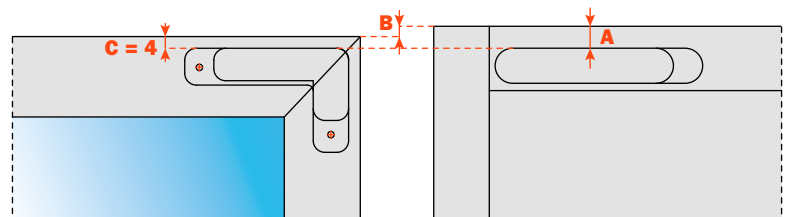


Workings on the aluminium frame DEL6LP300_.

Dimensions of the frame 26x26 mm.

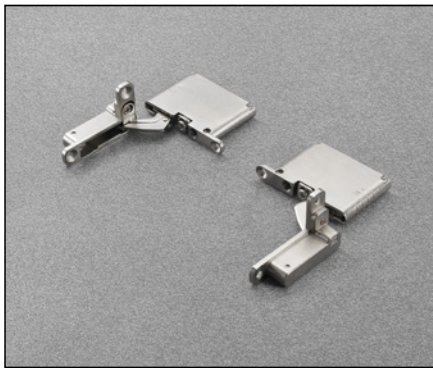


Formulas to determine the distance for the insertion of the holders for arm.



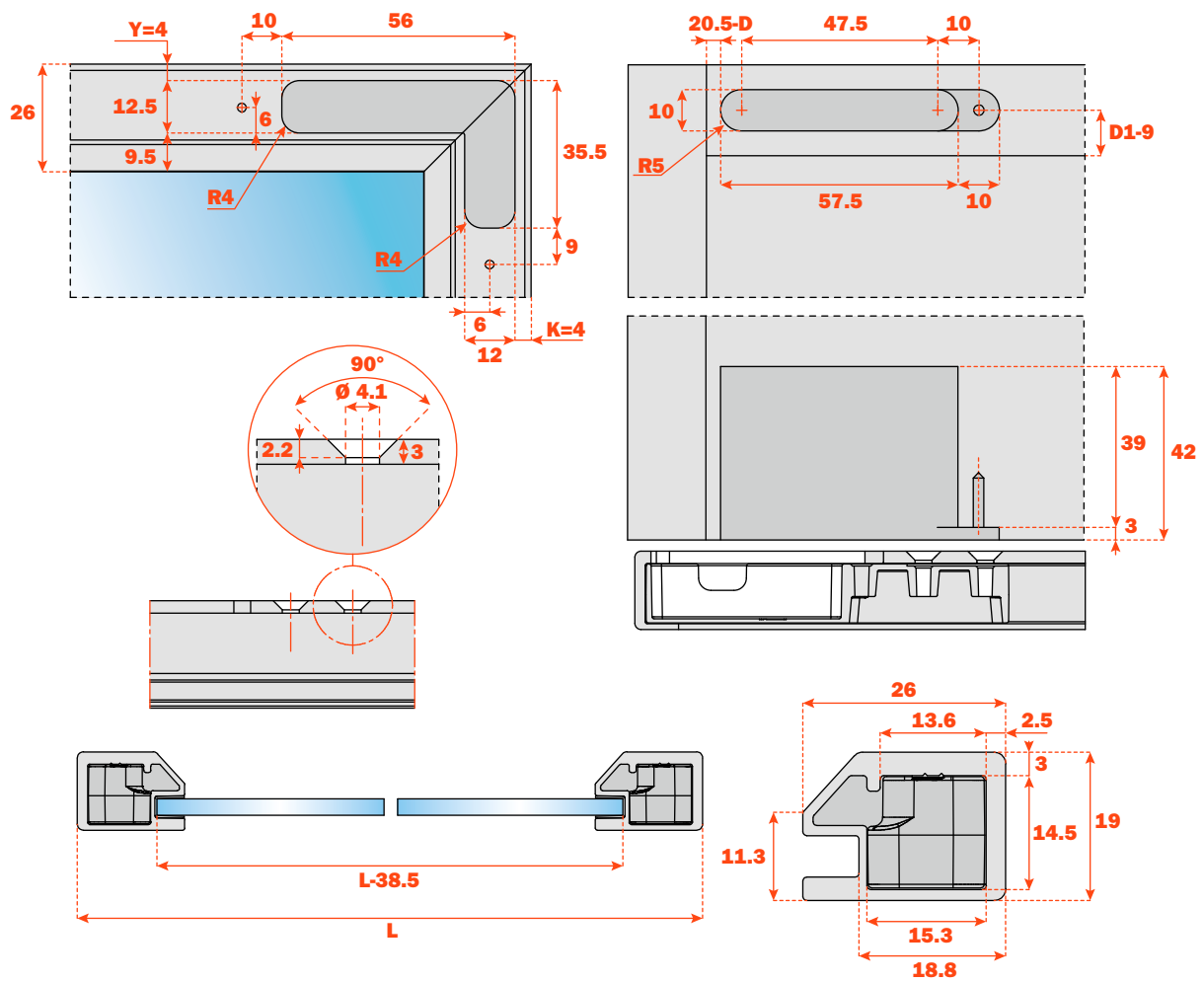
$$A = B + 4$$

$$B = A - 4$$

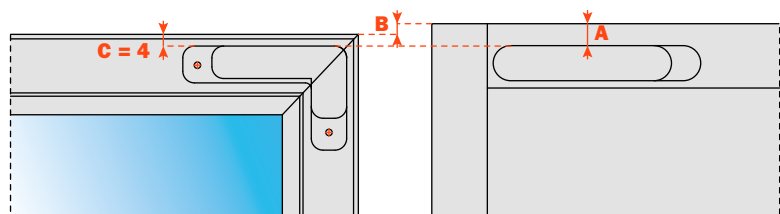


Workings on the aluminium frame DEL9LP300_.

Dimensions of the frame 26x19 mm.



Formulas to determine the distance for the insertion of the holders for arm.



$$A = B + 4$$

$$B = A - 4$$