



Technical information

Push hinges are reverse-sprung so that the door self-opens when the release device is activated.

Hinges for doors with positive angled assembly.

Hinges specially developed for use with metal profiles. 105° opening.

We recommend the use of self-threading screws B 3.5 x 9.5 DIN 7982 to fix C2ZP hinges.

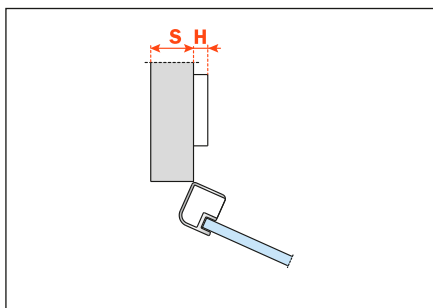
Compatible with all traditional Series 200 mounting plates and with all Domi snap-on mounting plates.

Packing

Boxes 150 pcs.

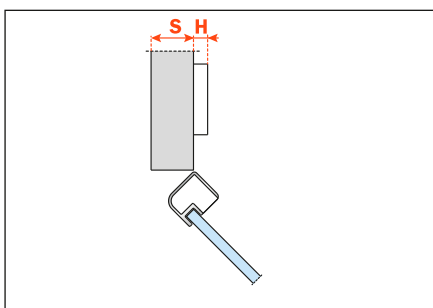
Pallets 3.600 pcs.

Arm 30°



C2ZPE99

Arm 45°



C2ZPM99

