

Universal hinges

for glass doors

No drilling of the glass is required.

Die-cast cup and arm.

All hinges are also available in titanium finish; to order Titanium please change the part number as shown in the example below.

Example: CBG2AE9 = nickel-plated

CBG2AE6 = titanium

Technical features

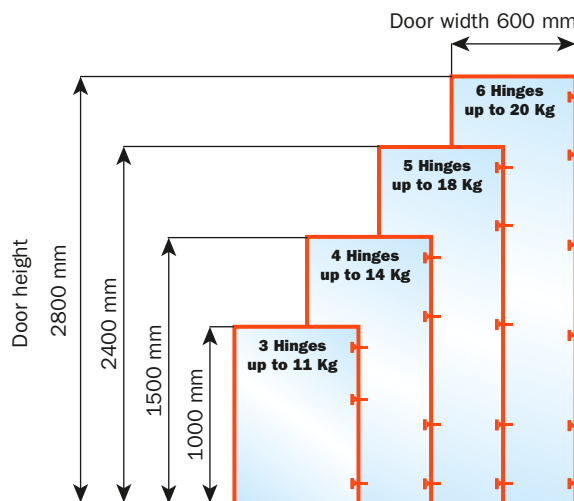
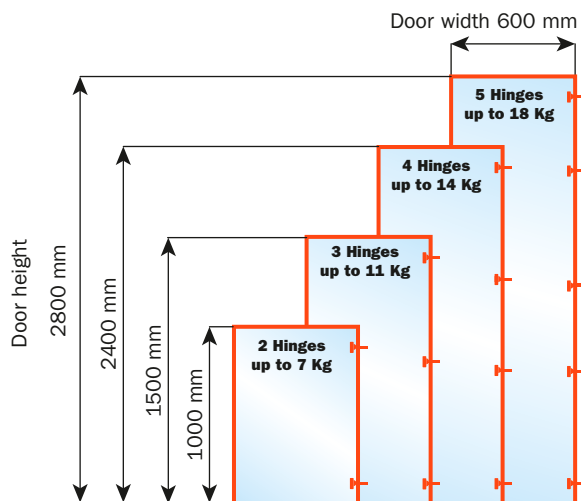
Disclaimer

Salice Universal (CBG) hinges have been developed for use on glass doors and mirrors. Salice will accept no responsibility for any problems associated with the type of adhesive or method of application when used in conjunction with Universal hinges, nor for any consequences of the incorrect mounting of the door. It is recommended that the selected adhesive is subjected to prior testing.

The adhesive may be considered appropriate if the plate, when fixed to the glass, can sustain a minimum torsion load of 160 Nm.



Approx. number of hinges required according to the door dimension and weight.



Adjustments

Compensated side adjustment from -1.5 mm to +4.5 mm.
 Height adjustment ± 2 mm.
 Depth adjustment with Series 200 mounting plates +2.8 mm.
 Depth adjustment with Domi snap-on mounting plates from -0.5 mm to +2.8 mm.
 Anti-sliding safety stop.

Mounting plates

Symmetrical and asymmetrical bright nickel plated steel or die-cast Series 200 mounting plates.
 Snap-on assembly on Domi mounting plates.
 Positioning with pre-determined stop on traditional Series 200 mounting plates.

N.B. : Use POZIDRIVE No. 2 screwdrivers for all screws.

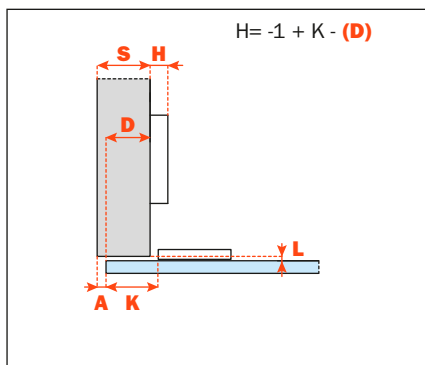
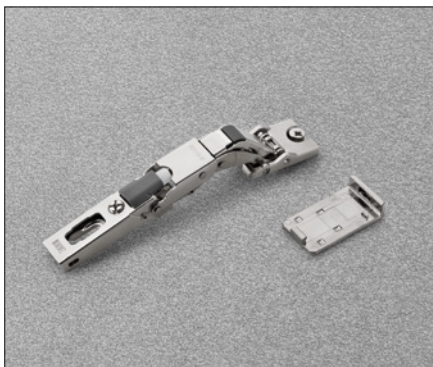
110° opening



Technical information

Hinges for glass doors.
No drilling of the glass is required.

Possible fixing inset distance on the door (K): from 0 to 22 mm.
 110° opening. To limit the opening of the hinge, see page 14 chapter "Accessories".
 Compatible with all traditional Series 200 mounting plates and with all Domi snap-on mounting plates.



CBG2AE9 = with integrated soft-close

CBG2AC9 = sprung hinge

CBGQAC9 = with Push opening

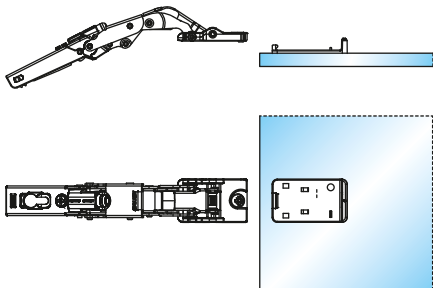
CBG1AC9 = unsprung hinge

Packing Nickel-plated finish

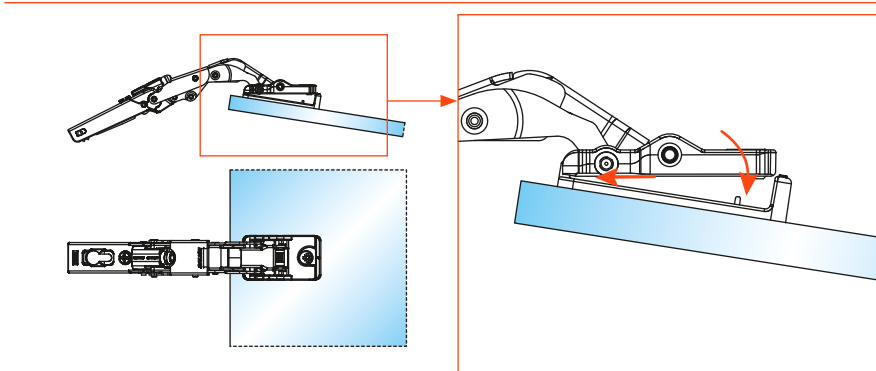
Boxes 150 pcs. · Pallets 3.600 pcs.

Packing Titanium finish

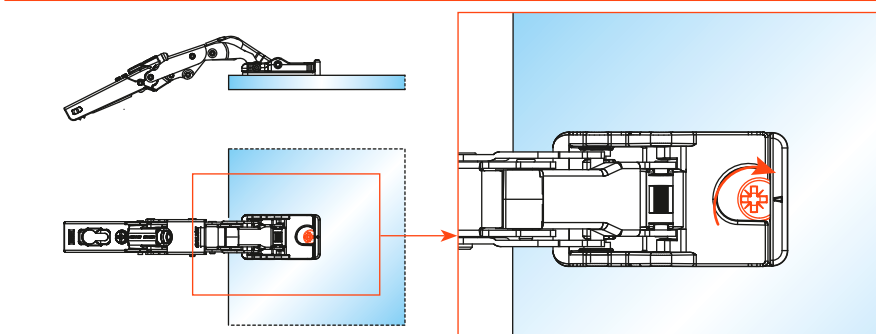
Check with the sales office for the minimum order quantity



1) The hinge plate must be attached to the glass door with a specific adhesive using the correct procedure. We recommend that this operation is carried out by a specialist company. For further information on adhesives and their application, please contact the adhesive manufacturer or your glass supplier.



2) Locate the hinge onto the plate when it is bonded to the door.



3) Rotate the fixing cam.