

Technical information

Hinges with adjustable integrated soft-close mechanism operated by twin silicone-oil dampers housed in the hinge cup. The decelerating effect is adjusted by using a simple switch.

Crampon hinges.

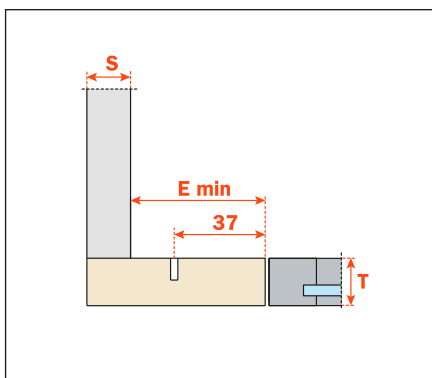
For cabinet sides with 37x32 mm standard drilling. Hinges specially developed for use with metal profiles.

105° opening.

We recommend the use of countersunk flat head self tapping screws \varnothing 2.9x6.5 UNI 6955 DIN 7982 to fix C1Z6 hinges.

Compatible with all traditional Series 200 mounting plates and with all Domi snap-on mounting plates.

Packing • Boxes 150 pcs. • Pallets 3.600 pcs.



C1Z6NE9AC

E min:

- 61 mm for Series 200 mounting plates.
- 70 mm for Domi snap-on mounting plates.
- 74 mm for Domi snap-on mounting plates with back cam.



Technical information

Hinges with adjustable integrated soft-close mechanism operated by twin silicone-oil dampers housed in the hinge cup. The decelerating effect is adjusted by using a simple switch.

Crampon hinges.

For smaller spaces with 15x32 mm drilling.

Hinges specially developed for use with metal profiles.

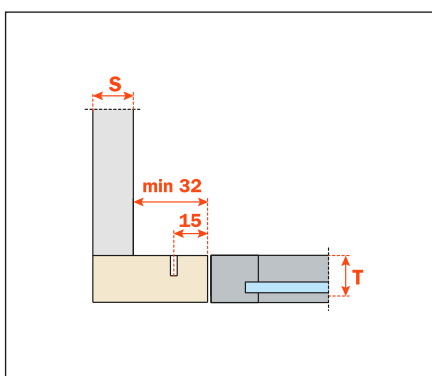
105° opening.

We recommend the use of countersunk flat head self tapping screws \varnothing 2.9 x 6.5 UNI 6955 DIN 7982 to fix C1Z6 hinges.

Compatible with all traditional Series 200 mounting plates, drilling 28x32 mm.

NOT COMPATIBLE with Domi snap-on mounting plates.

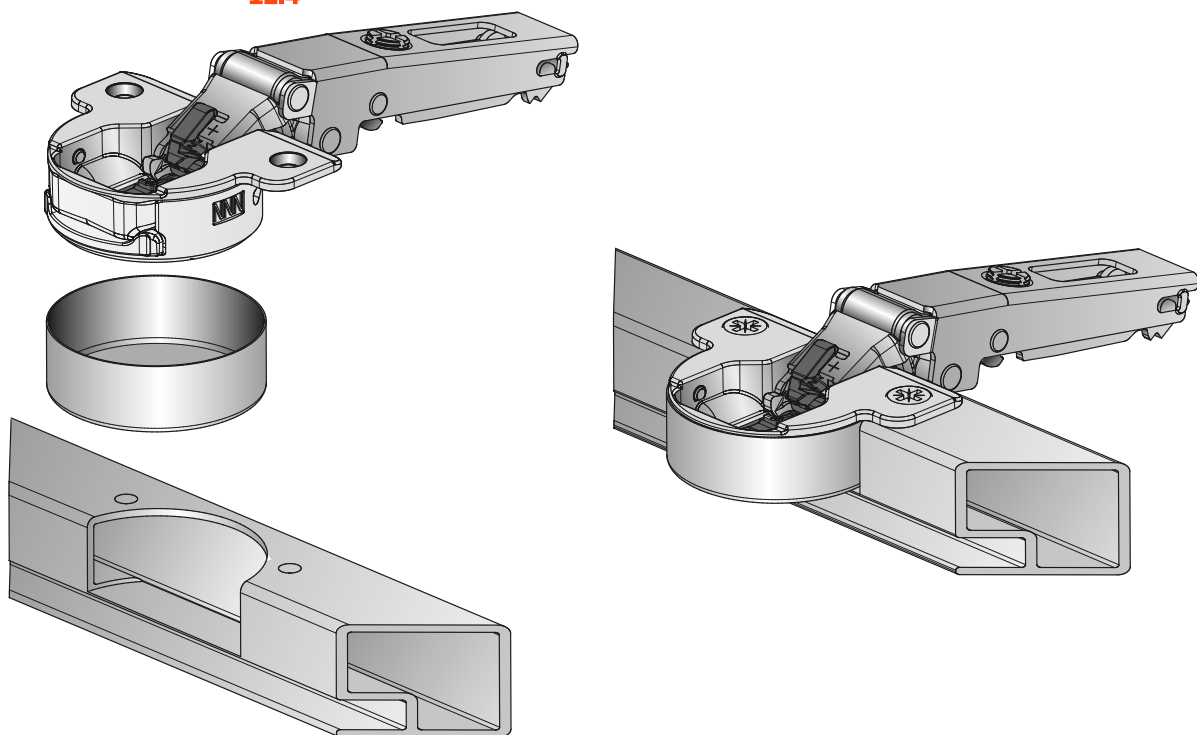
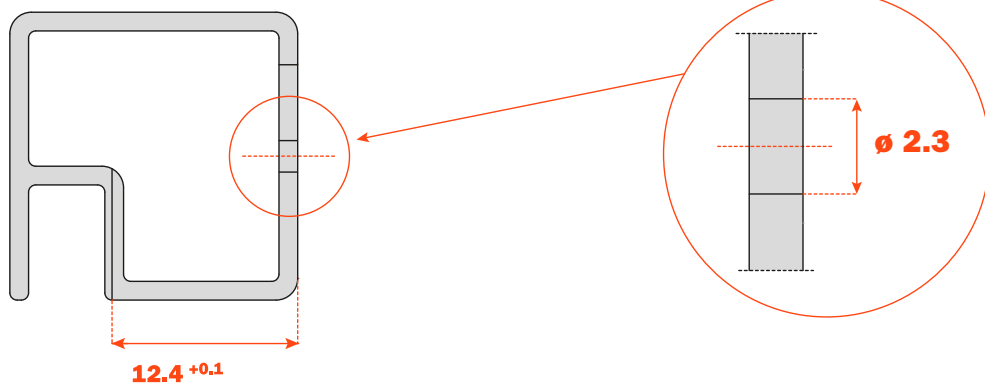
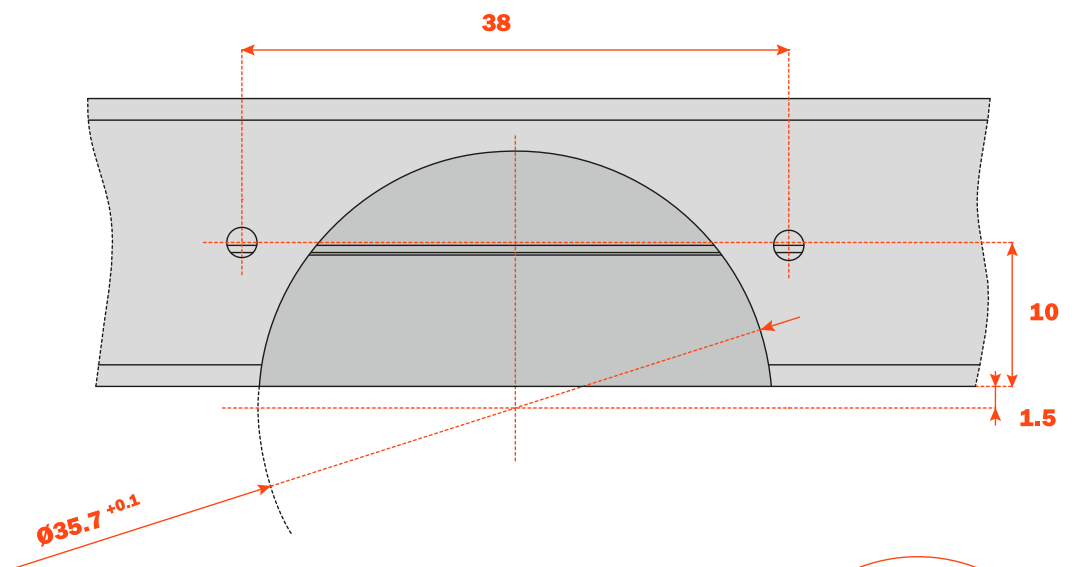
Packing • Boxes 150 pcs. • Pallets 3.600 pcs.



C1Z6NE9

Drilling of the metal profile

Countersunk flat head self tapping screws $\varnothing 2.9 \times 6.5$ UNI 6955 - DIN 7982



D1Z6HSK

Fancy cover for hinge
(should be ordered separately)