



### Technical information

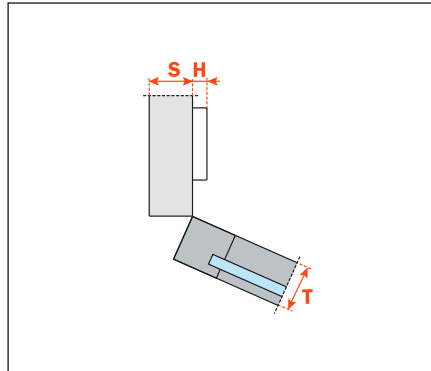
Hinges with adjustable integrated soft-close mechanism operated by twin silicone-oil dampers housed in the hinge cup. The decelerating effect is adjusted by using a simple switch.

For doors with positive angled assembly.  
Hinges specially developed for use with metal profiles.  
105° opening.

We recommend the use of countersunk flat head self tapping screws  $\varnothing 2.9 \times 6.5$  UNI 6955 DIN 7982 to fix C1Z6 hinges. Compatible with all traditional Series 200 mounting plates and with all Domi snap-on mounting plates.

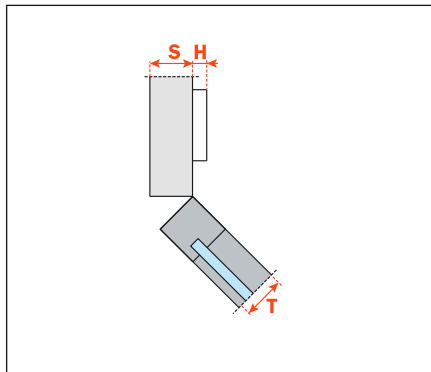
**Packing** • Boxes 150 pcs. • Pallets 3.600 pcs.

Arm 30°



**C1Z6EE9**

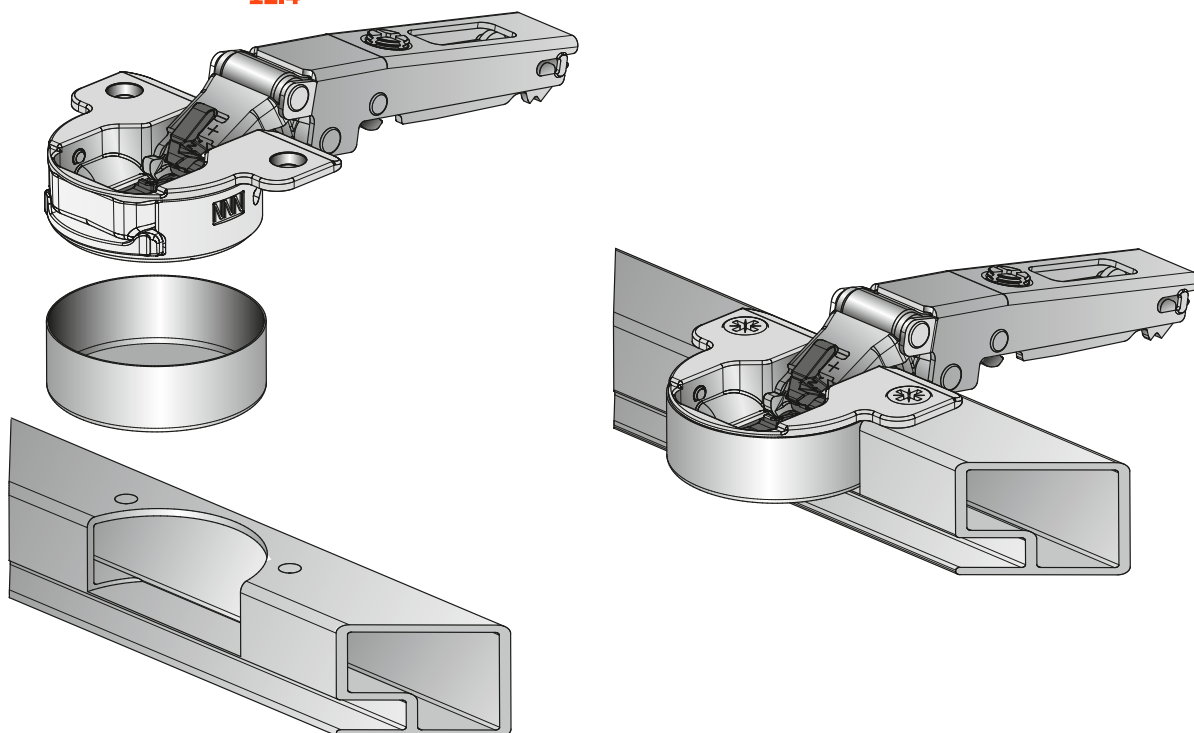
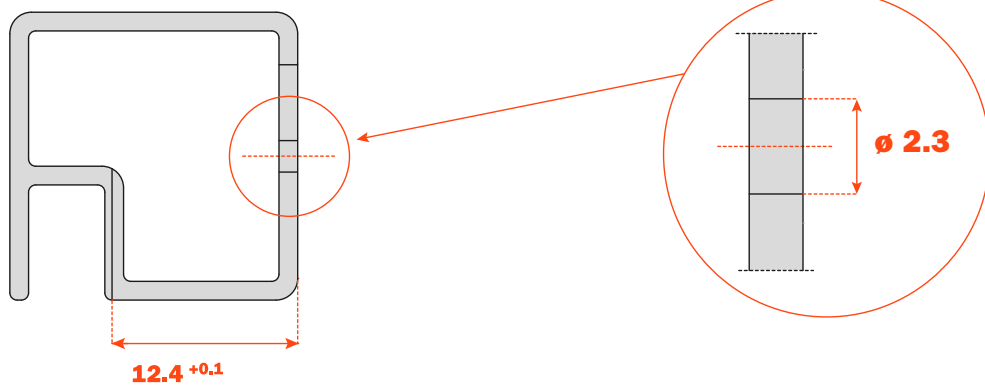
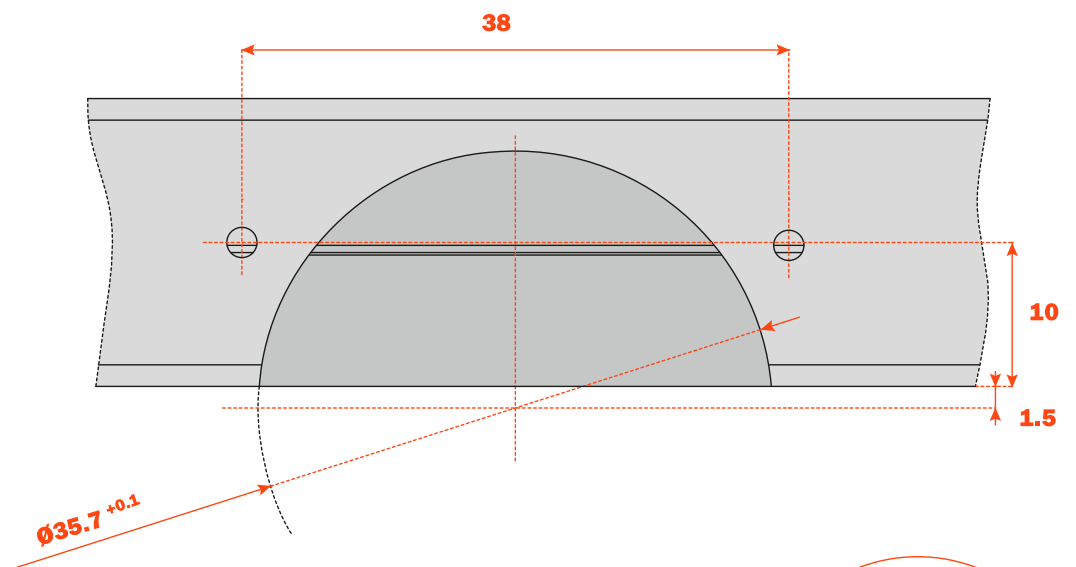
Arm 45°



**C1Z6ME9**

## Drilling of the metal profile

Countersunk flat head self tapping screws  $\varnothing 2.9 \times 6.5$  UNI 6955 - DIN 7982



### D1Z6HSK

Fancy cover for hinge  
(should be ordered separately)