

## Complementary hinges



### Technical information

**Hinges with adjustable integrated soft-close mechanism operated by twin silicone-oil dampers housed in the hinge cup. The decelerating effect is adjusted by using a simple switch.**

**For doors with positive angled assembly.**

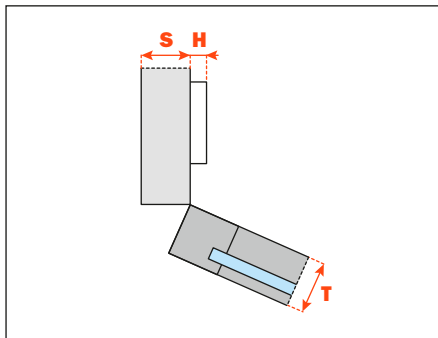
**Hinges specially developed for use with metal profiles.**


105° opening.

We recommend the use of countersunk flat head self tapping screws  $\varnothing 2.9 \times 6.5$  UNI 6955 DIN 7982 to fix C1Z6 hinges.

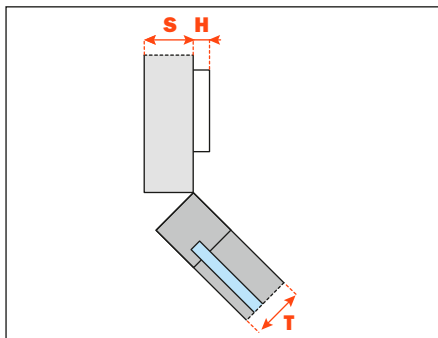
Compatible with all traditional Series 200 mounting plates and with all Domi snap-on mounting plates.


Arm 30°



Attachment	Nickel
 $\varnothing 2.9 \times 6.5$ UNI 6955 DIN 7982	C1Z6EE9

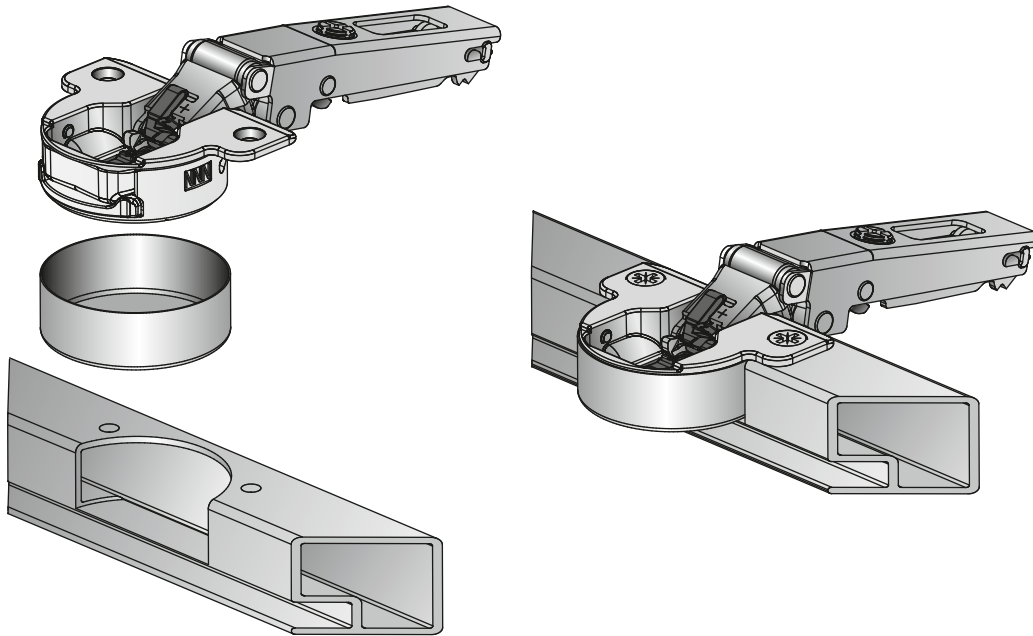
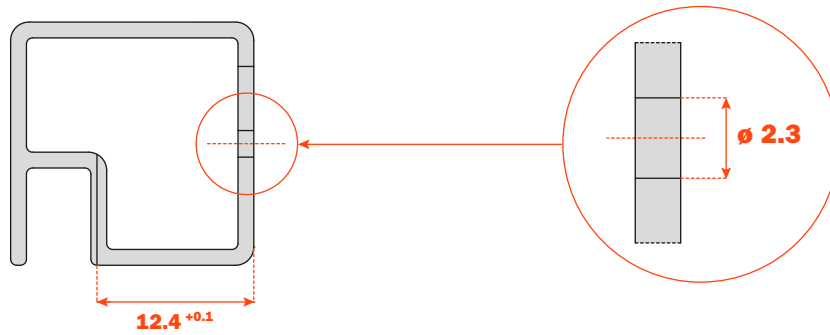
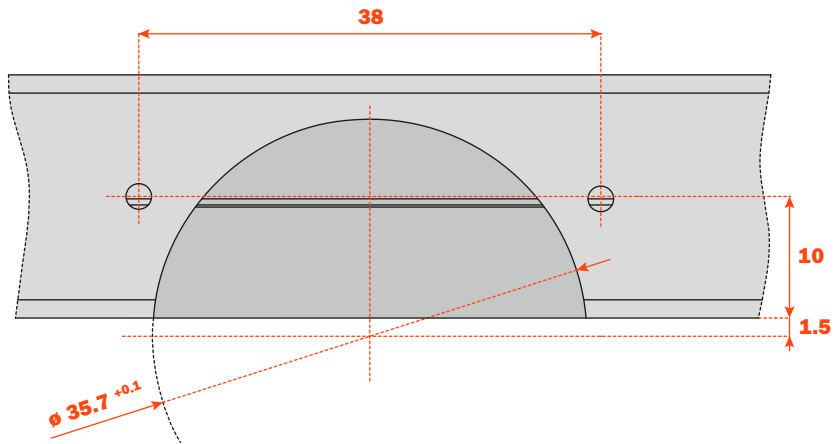
Arm 45°



Attachment	Nickel
 $\varnothing 2.9 \times 6.5$ UNI 6955 DIN 7982	C1Z6ME9

## Drilling of the metal profile

Countersunk flat head self tapping screws  $\varnothing 2.9 \times 6.5$  UNI 6955 - DIN 7982



### D1Z6HSK

Fancy cover for hinge  
(should be ordered separately)