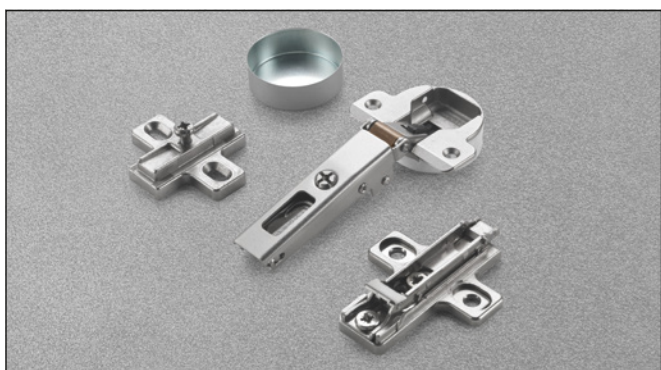


Silentia • For metal profiles



Technical information

Hinges with adjustable integrated soft-close mechanism operated by twin silicone-oil dampers housed in the hinge cup. The decelerating effect is adjusted by using a simple switch.

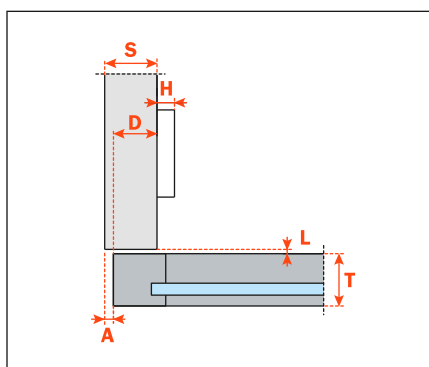
Hinges specially developed for use with metal profiles.
105° opening.

We recommend the use of countersunk flat head self tapping screws $\varnothing 2.9 \times 6.5$ UNI 6955 DIN 7982 to fix C1Z6 hinges.

Compatible with all traditional Series 200 mounting plates and with all Domi snap-on mounting plates.

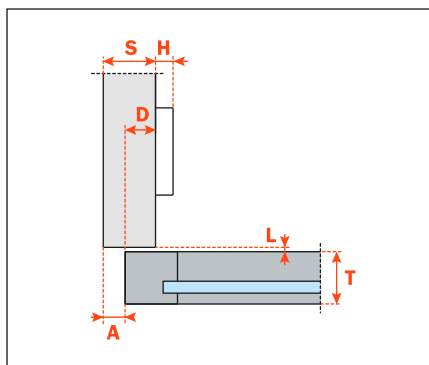
Packing • Boxes 150 pcs. • Pallets 3.600 pcs.

Arm 0



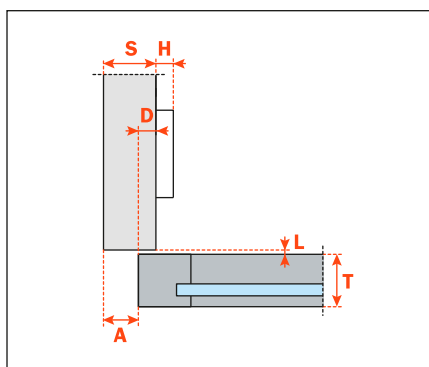
C1Z6AE9

Arm 5



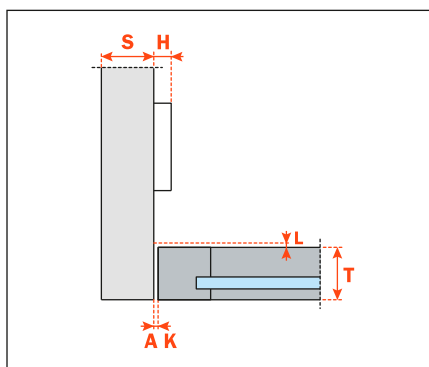
C1Z6DE9

Arm 9



C1Z6GE9

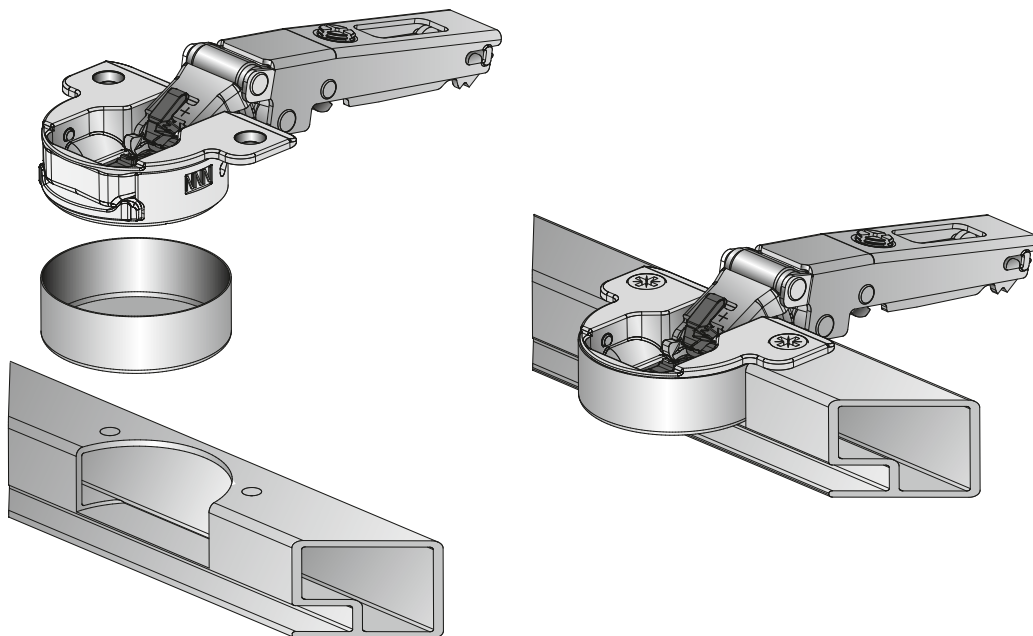
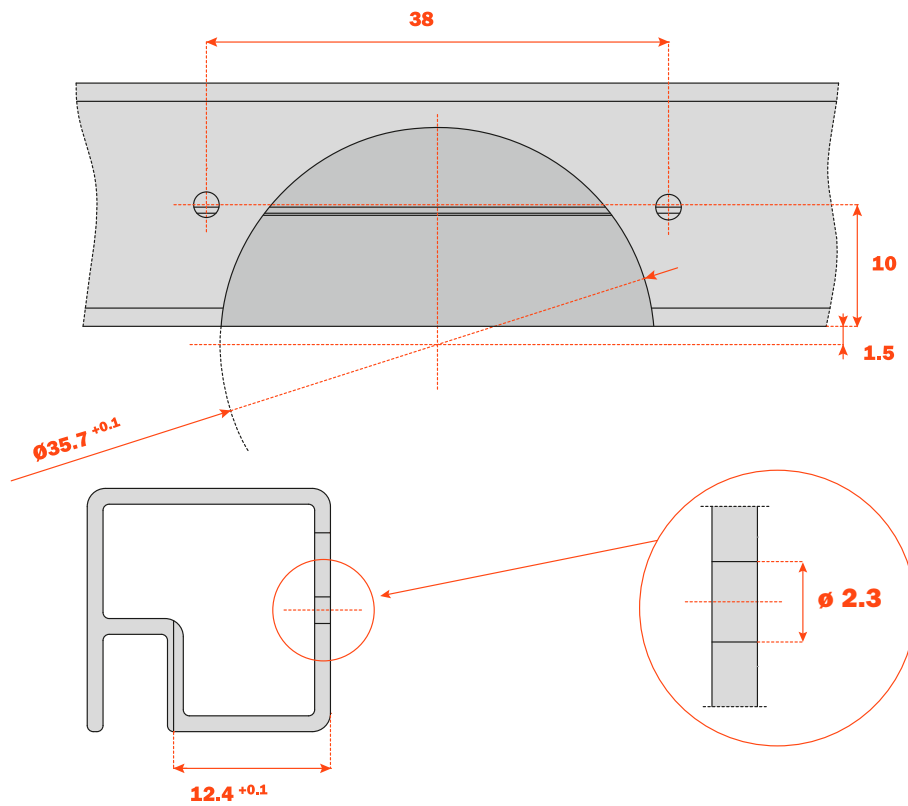
Arm 17



C1Z6PE9

Drilling of the metal profile

Countersunk flat head self tapping screws $\varnothing 2.9 \times 6.5$ UNI 6955 - DIN 7982



D1Z6HSK

Fancy cover for hinge
(should be ordered separately)