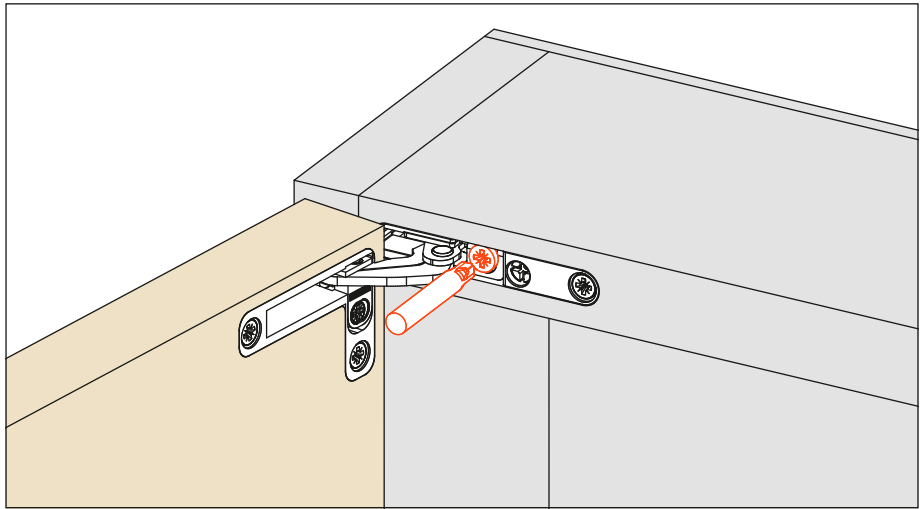
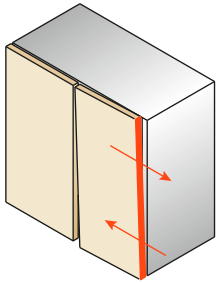
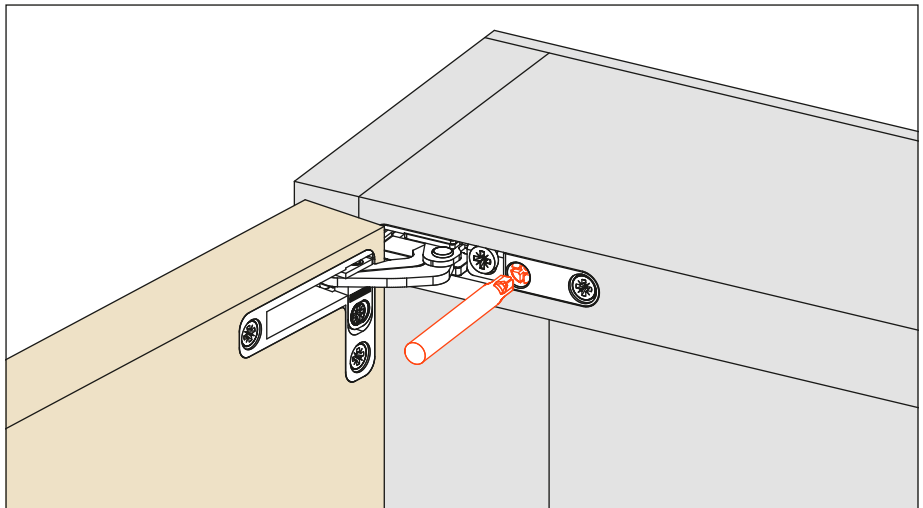
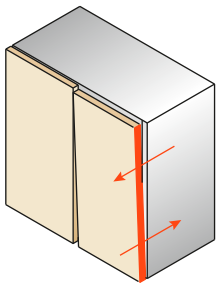


Air - Adjustments

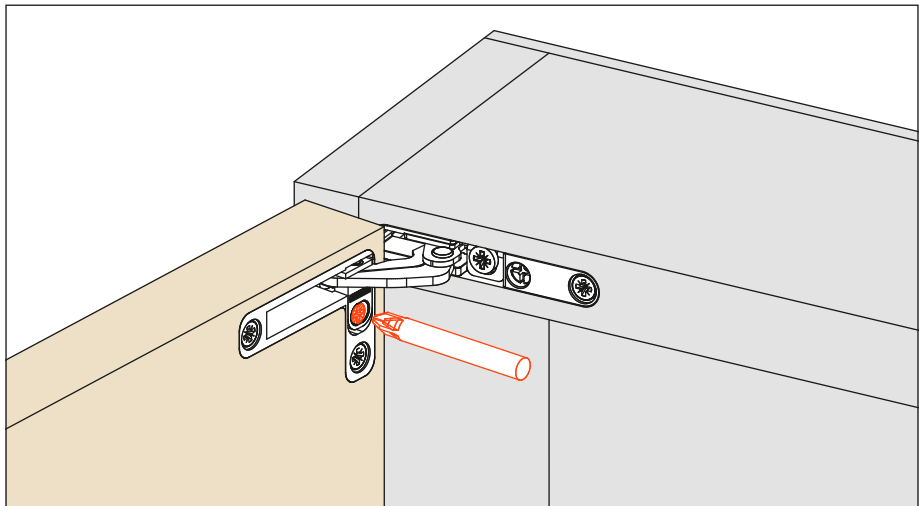
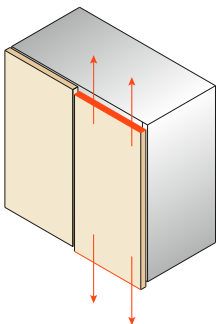
Side adjustment range +2 to -2



Depth adjustment range +2 to -0.5



Height adjustment range +1.5 to -1.5



Note: Always use a #2 Pozzi screw driver for adjustments.