

Air - the truly concealed hinge



Air is an innovative and functional concealed hinge system, characterized by sophisticated design, compactness and very high performance qualities.

Like traditional hinges, Air is fully adjustable in three directions and also incorporates an integrated Soft Close mechanism for soft closing doors or the Push self-opening system for handle-less doors.

With a height of only 10mm, Air is recessed into the cabinet and the door and is practically invisible.

It can be used both with wood doors and aluminum framed doors. Whether used on small light doors or tall heavy doors, 2 hinges are all that is required to ensure a smooth and worry free action.

Air is also available in Titanium finish and suitable for numerous applications: kitchens, bathrooms, living areas and bedroom furniture or display cabinets.

Compact, stylish and elegant.

Air is the new fusion of technology and aesthetics.



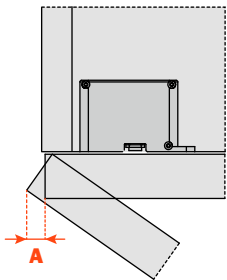


Technical features

Air hinges are offered with integrated soft close mechanism or Push opening. They are attached to the top and bottom panel of the cabinet.

For min. 18 mm (3/4") thick wood doors and for aluminum-framed doors.
 Max. door weight 20 Kg (44 lbs).
 Max. dimensions of the door : height 2100 mm (84"), width 610 mm (24").
 16.5 mm deep metal cup.
 L = 2.5 mm
 105° opening.
 Possible drilling distance on the door (K): from 3 mm (1/8") to 6 mm (1/4") for wood doors.
 Fixed K = 4 mm for aluminum-framed doors (DEL6LP300_).

Space needed to open the door

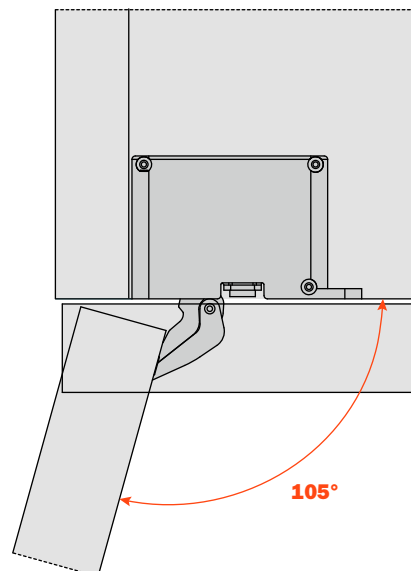
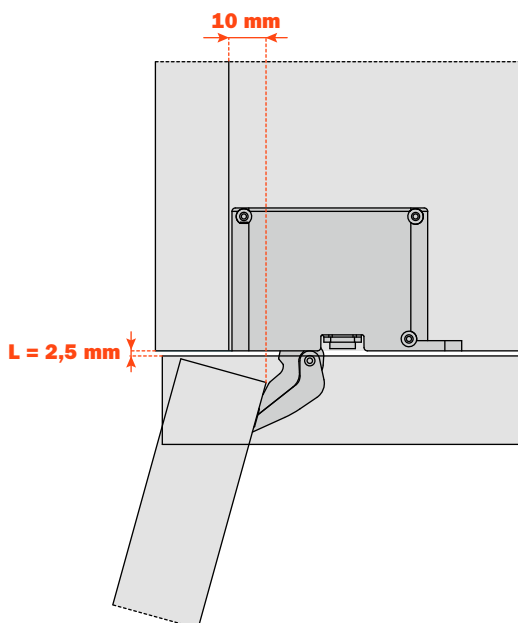


T=	18	20	22	24	26	28	30	32
K=3	A= 0	0.2	0.5	0.8	2.3	4.9	7.5	10.0
K=4	A= 0	0.2	0.4	0.8	1.3	3.9	6.5	9.0
K=5	A= 0	0.2	0.4	0.8	1.3	2.9	5.5	8.0
K=6	A= 0	0.2	0.4	0.8	1.2	1.9	4.5	7.0

The above values are calculated on the assumption that the doors have 1mm radius edge. They are reduced if the doors have radiused edges.

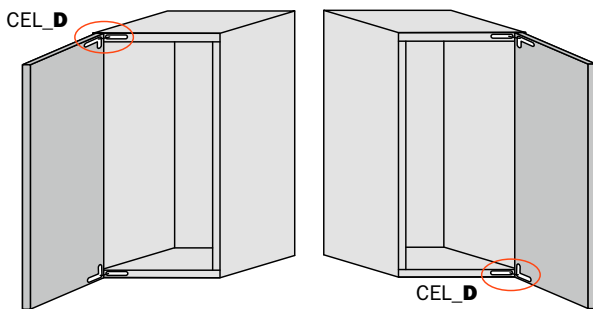
Protrusion of the door

Protrusion of the door from the cabinet side at the max. opening.
 The figures are based on K value = 3 mm (1/8") and door overlay = 19.5 mm (3/4").



SET PACKING (poly-bag)

Closing Opening	Nickel finish	Titanium finish	Packaging
Soft close	CEL6XE9XXV	CEL6XE6XXV	Box 12 bags Cartons 72 bags . 1 bag contains: 2 hinges and wood screws 2 #8 x 1" wood screws/Pozi drive 4 #6 x 5/8" wood screws/Pozi drive
Push	CELPX99XXV	CELPX66XXV	



CEL_D is marked **R**
CEL_S is marked **L**

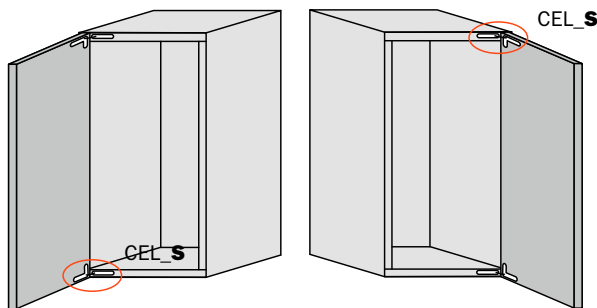
For a left hand opening door, use a **CEL_D** on the top and **CEL_S** on the bottom.

For a right hand opening door, use a **CEL_D** on the bottom and a **CEL_S** on the top.

INDUSTRIAL PACKAGING

*Special order

Closing Opening	Nickel finish	Titanium finish	Packaging
Soft close	CEL6DE9XXI	CEL6DE6XXI	Cartons 100 pcs. . Wood screws included #8 x 1" wood screws/Pozi drive #6 x 5/8" wood screws/Pozi drive
Push	CELPD99XXI	CELPD66XXI	

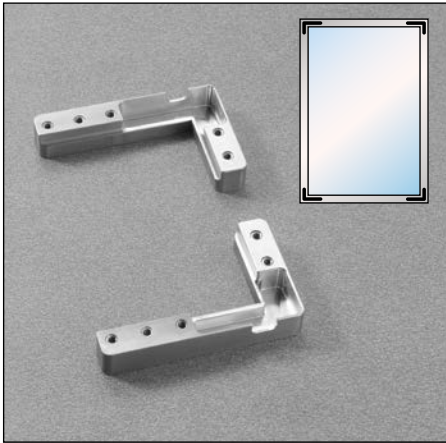


CEL_D is marked **R**
CEL_S is marked **L**

For a left hand opening door, use a **CEL_D** on the top and **CEL_S** on the bottom.

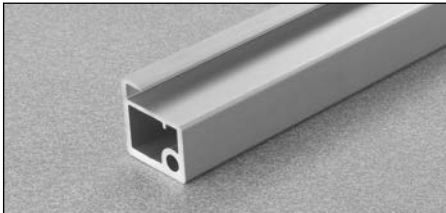
For a right hand opening door, use a **CEL_D** on the bottom and a **CEL_S** on the top.

Closing Opening	Nickel finish	Titanium finish	Packaging
Soft close	CEL6SE9XXI	CEL6SE6XXI	Cartons 100 pcs. . Wood screws included #8 x 1" wood screws/Pozi drive #6 x 5/8" wood screws/Pozi drive
Push	CELPS99XXI	CELPS66XXI	



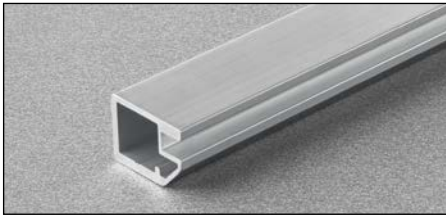
Corner connectors (L & R) for frame assembly of the doors and hinge mounting.

Part number	Packing
DEL6BSFV02	Boxes 25 bags 1 bag contains: 4 corner connector and machine thread assembly screws in Nickel & Titanium



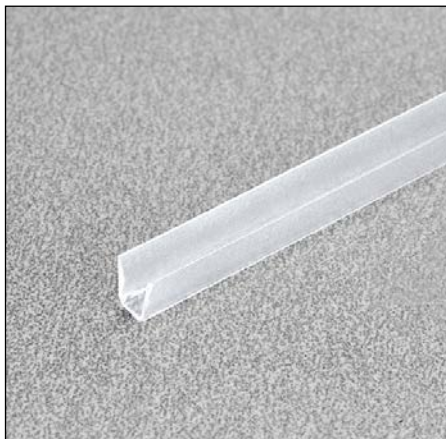
26 mm frame for glass (insertion 4 mm with gasket)

Part number	Packing	Length
DEL6LP300P	12 frames anodized aluminum	3 m (9' - 10")
DEL6LP300T	12 frames Titanium	3 m (9' - 10")



19 mm frame for glass (insertion 4 mm with gasket)

Part number	Packing	Length
DEL9LP300P	14 frames anodized aluminum	3 m (9' - 10")
DEL9LP300T	14 frames Titanium	3 m (9' - 10")

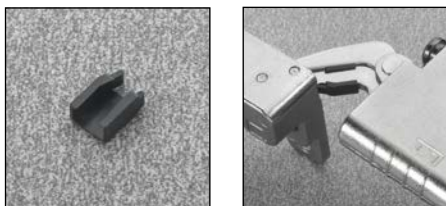


Gasket for glass.

Part number	Packing	Length
D206AG3000	12 gaskets	3 m (9' - 10")



Angle reduction clip to reduce the opening to 92°.



Part number	Packing
SEL637X3	Cartons 500 pieces