

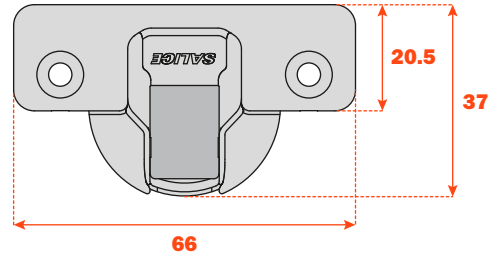
**Silentia** • Series 200 for thicker doors

**Technical features**

Hinges with adjustable integrated soft-close mechanism operated by twin silicone-oil dampers housed in the hinge cup.

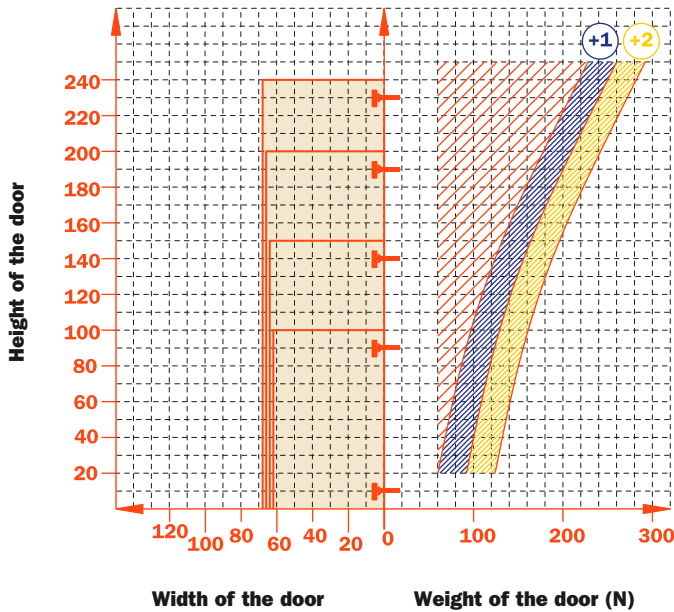
The decelerating effect is adjusted by using a simple switch.

Bright nickel plated steel cup and arm.  
Dimensions of the Ø 35 mm cup.



Constant "L" value of 1.3 mm (it does not change during side adjustment).

Approx. number of hinges required according to the door dimension and weight.



**Adjustments**

- Compensating side adjustment from -1.5 mm to +4.5 mm.
- Height adjustment ±2 mm.
- Depth adjustment with Series 200 mounting plates +2.8 mm.
- Depth adjustment with Domi snap-on mounting plates from -0.5 mm to +2.8 mm.
- Anti-sliding safety stop.

**Mounting plates**

- Symmetrical and asymmetrical bright nickel plated steel or die-cast Series 200 mounting plates.
- Snap-on assembly on Domi mounting plates.
- Positioning with pre-determined stop on traditional Series 200 mounting plates.

N.B. : Use POZIDRIVE No. 2 screwdrivers for all screws.

## Drillings and fixings

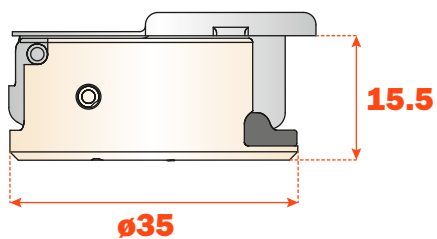
	94°	155°	94°	155°	94°	155°
Wood screw	A	A	P	P	U	U
	94°	155°	94°	155°	94°	155°
Rapido	6	6	7	7	2	2
Dowel	B	B	R	R	W	W
Logica	I	I	J	J	Q	Q

Use this table to identify the available drillings and fixings.

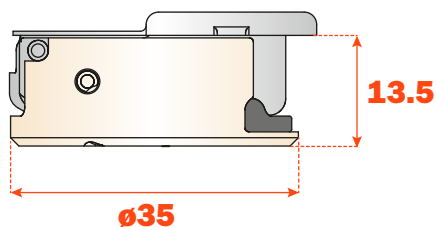
Fill the third position of the hinge code number with the letter or the number corresponding to your choice. I.e.: C2\_BAE9.



Fill this position with the chosen letter or number.

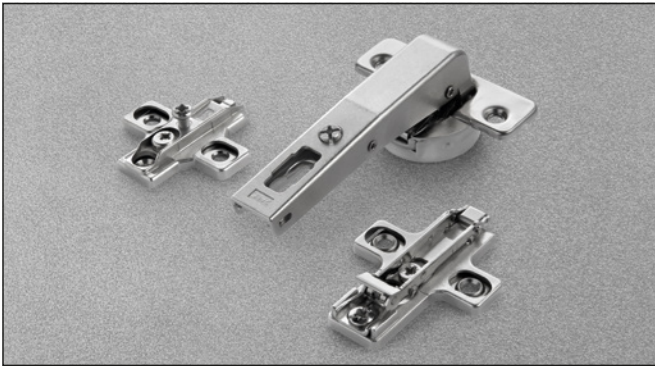


**94° opening and complementary hinges**



**155° opening**

**Silentia** • Series 200 for thicker doors • Complementary hinges



**Technical information**

Hinges with adjustable integrated soft-close mechanism operated by twin silicone-oil dampers housed in the hinge cup. The decelerating effect is adjusted by using a simple switch.

**Crampon hinges.**

For cabinet sides with 37x32 mm standard drilling.

Hinges for min. 18 mm thick doors.

15.5 mm deep cup.

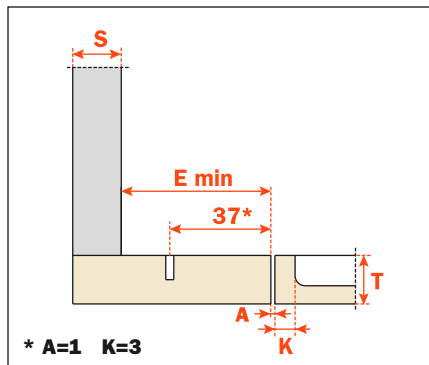
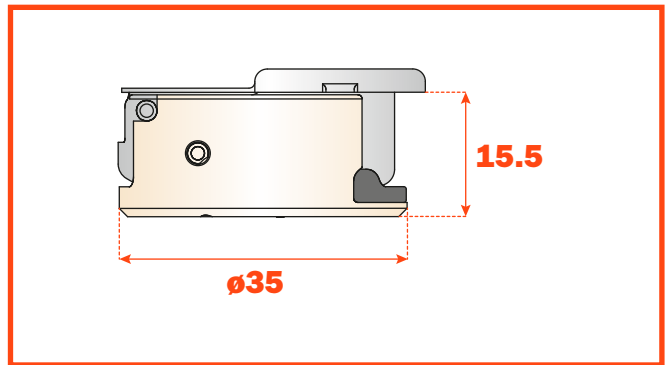
94° opening.

Possible drilling distance on the door (K): from 3 to 9 mm.

Compatible with all traditional Series 200 mounting plates and with all Domi snap-on mounting plates.

**Packing** • Boxes 150 pcs. • Pallets 3.600 pcs.

Use the tables "Drillings and fixings" at page 21 to complete the code number of the desired hinge.

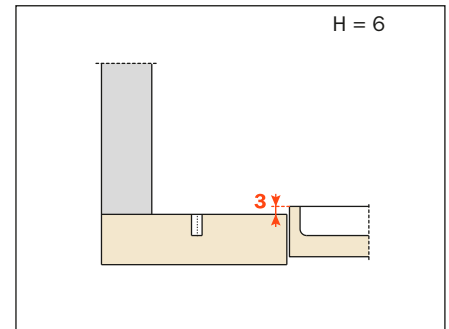
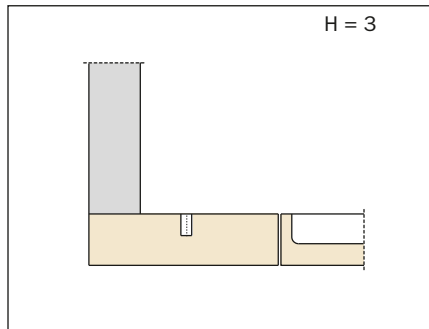
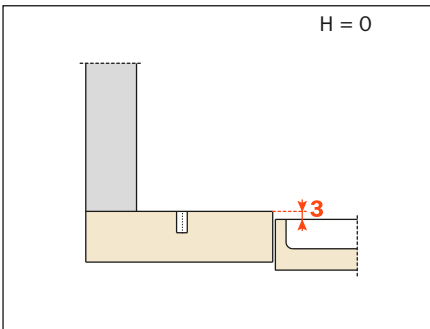


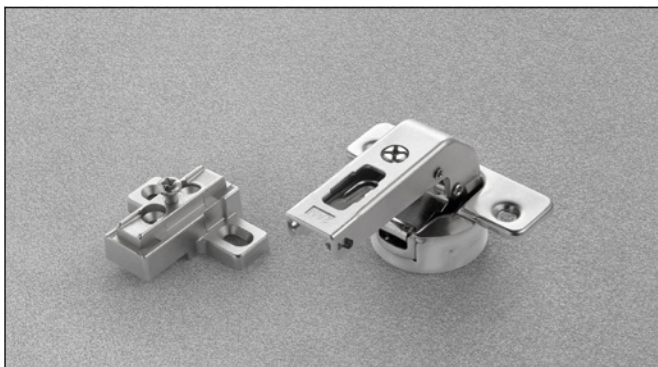
**C2\_BNE9AC**

**E min:**

- 61 mm for Series 200 mounting plates.
- 70 mm for Domi snap-on mounting plates.
- 74 mm for Domi snap-on mounting plates with back cam.

Heights of mounting plates for every assembly.





### Technical information

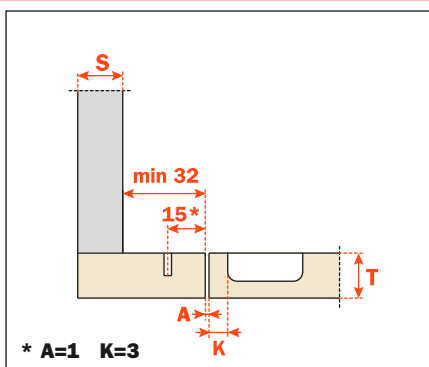
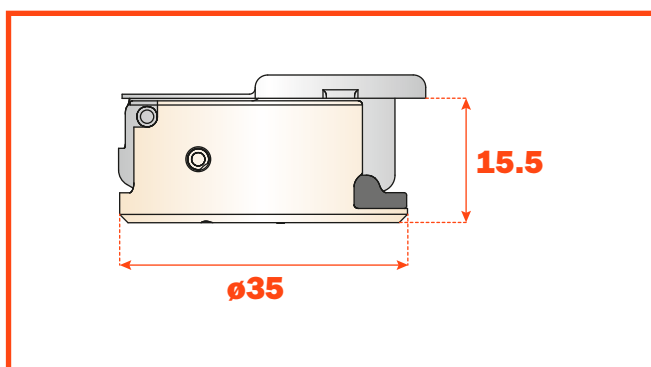
**Hinges with adjustable integrated soft-close mechanism operated by twin silicone-oil dampers housed in the hinge cup. The decelerating effect is adjusted by using a simple switch.**

**Crampon hinges. For smaller spaces with 15x32 mm drilling. Hinges for min. 18 mm thick doors. 15.5 mm deep cup.**

94° opening.  
Possible drilling distance on the door (K): from 3 to 9 mm.  
Compatible with all traditional Series 200 mounting plates, 28x32 mm drilling.  
**NOT COMPATIBLE** with Domi snap-on mounting plates.

**Packing** • Boxes 150 pcs. • Pallets 3.600 pcs.

Use the tables "Drillings and fixings" at page 21 to complete the code number of the desired hinge.



**C2\_BNE9**

Heights of mounting plates for every assembly.

