

Silentia • 700 Series

Technical features

Integrated soft close by means of twin fluid dampers

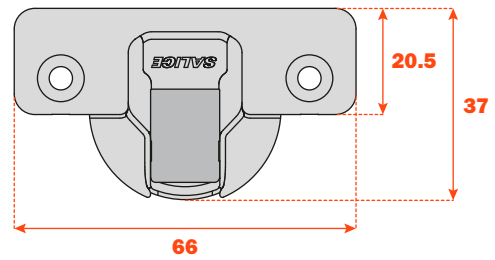
- Adjustment switch to set a comfortable soft close action
- Impervious to temperature extremes
- Very smooth opening with minimal resistance
- Patented compensating parallel side adjustment
- Available in all Salice fixing types (Screw, Dowel, Rapido, Logica)
- Available in Nickel or Titanium finish
- Exceeds ANSI/BHMA standards A156.9-2020

Constant “L” value of 1.5 mm (it does not change during side adjustment).

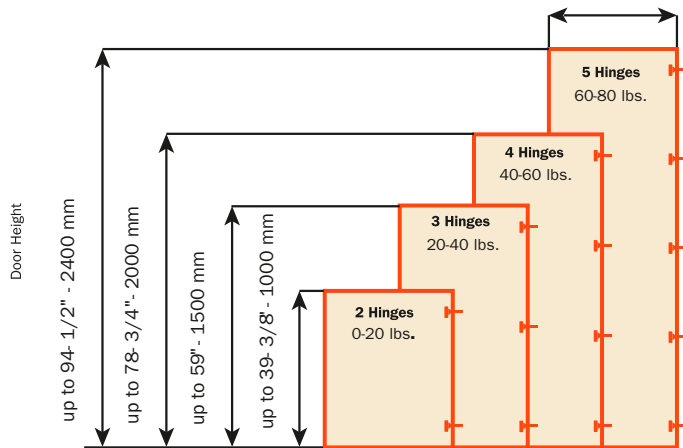
The number of hinges required depends on the size, weight and material of the door.

The distance between the top and bottom of the hinge must be greater than the width of the door.

Additional hinges should be added if doors are near the border of the line of size or weight chart. Use the diagram below to determine the number of hinges.



Door width up to 24" - 610 mm



Adjustments

- Compensated (parallel) side adjustment from -1.5 mm to +4.5 mm.
- Height adjustment ±2 mm.
- Depth adjustment with Domi snap-on mounting plates from -0.5 mm to +2.8 mm.
- Depth adjustment with 200 Series mounting plates +2.8 mm.
- Anti-sliding safety stop.

Mounting plates

- Snap-on assembly on Domi mounting plates.
- Symmetrical and asymmetrical bright nickel plated steel or die-cast 200 Series mounting plates.
- Positioning with pre-determined stop on traditional 200 Series mounting plates.

Note: Use No. 2 Pozi drive screwdrivers for all screws.

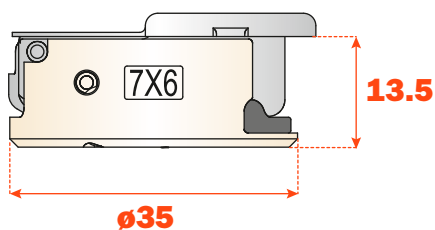
Drilling and attachment

Wood screw		P
Dowel		R
Rapido		7
Logica		J

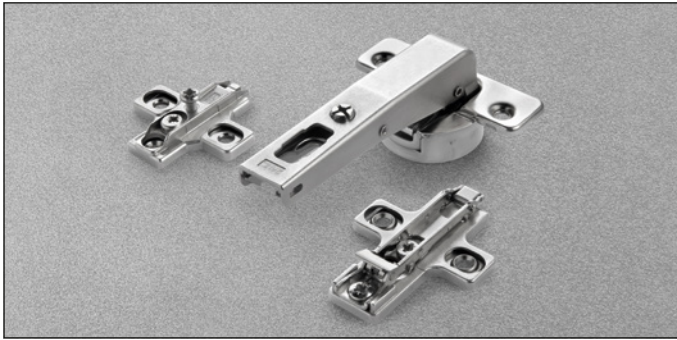
**Use this table to identify the available attachment options to the door.
Fill the third position of the hinge code number with the letter or the number
corresponding to your choice. I.e.: C7_6AE9.**



Fill this position with the chosen letter or number.



**110° opening
and complementary hinges**



Technical information

Hinges with adjustable integrated soft-close mechanism operated by twin fluid dampers housed in the hinge cup. The decelerating effect is adjusted by using a simple switch.

Inset blind corner hinges.

For cabinet sides with 37x32 mm standard drilling.

Minimum 16 mm thick doors.

13.5 mm deep cup.

110° opening.

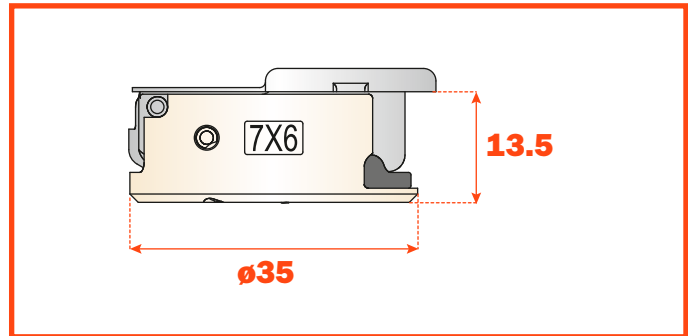
Possible drilling distance on the door (K): from 3 to 6 mm.

Compatible with all traditional 200 Series mounting plates and with all Domi snap-on mounting plates.

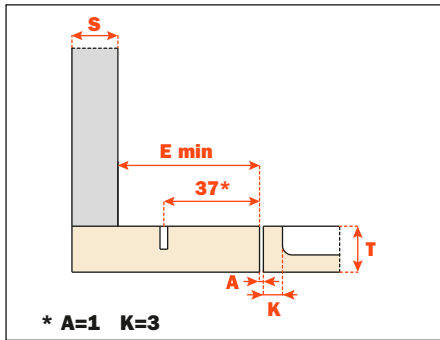
Packing • Boxes 150 pcs. • Pallets 3.600 pcs.

Use the tables “Drilling and attachments” at page 29 to complete the code number of the desired hinge.

***Check with your Salice sales representative or customer service for specific Titanium availability**



Inset blind corner hinge

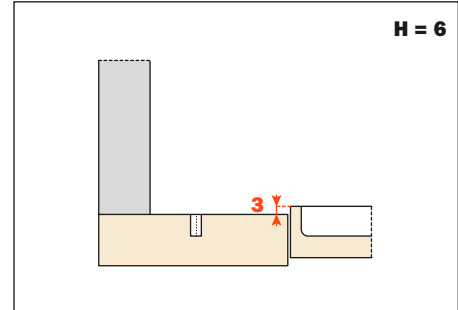
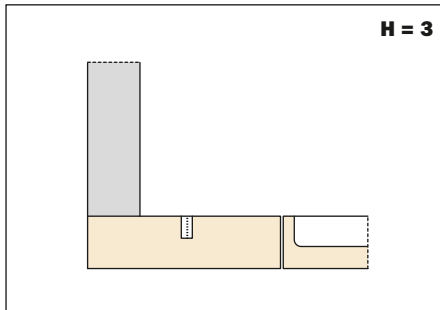
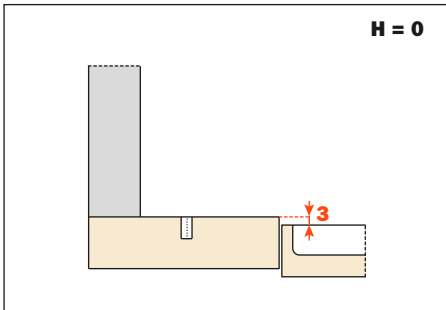


Attachment		Nickel
	Wood screw	C7P6NE9AC
	Dowel	C7R6NE9AC
	Logica	C7J6NE9AC

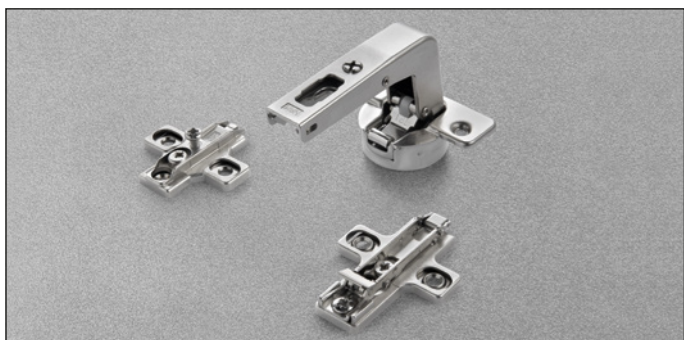
E min:

- 61 mm for 200 Series mounting plates.
- 70 mm for Domi snap-on mounting plates.
- 74 mm for Domi snap-on mounting plates with back cam.

Heights of mounting plates for every application.



Silentia • 700 Series • Complementary hinges



Technical information

Hinges with adjustable integrated soft-close mechanism operated by twin fluid dampers housed in the hinge cup. The decelerating effect is adjusted by using a simple switch.

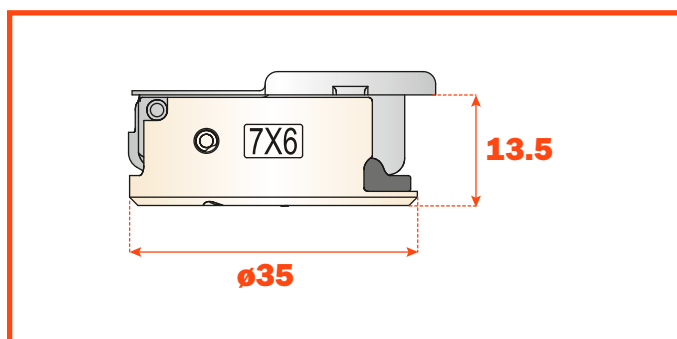
Overlay blind corner hinges.
Minimum 16 mm thick doors.
13.5 mm deep cup.

110° opening.
 Possible drilling distance on the door (K): from 3 to 6 mm.
 Compatible with all traditional 200 Series mounting plates and with all Domi snap-on mounting plates.

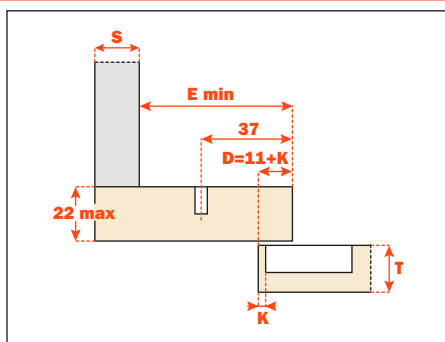
Packing • Boxes 150 pcs. • Pallets 3.600 pcs.

Use the tables "Drilling and attachments" at page 29 to complete the code number of the desired hinge.

***Check with your Salice sales representative or customer service for specific Titanium availability**



Overlay blind corner hinge



Attachment	Nickel
Wood screw	C7P6NE9AM
Dowel	C7R6NE9AM

E min:
 • 61 mm for 200 Series mounting plates.
 • 70 mm for Domi snap-on mounting plates.
 • 74 mm for Domi snap-on mounting plates with back cam.

Heights of mounting plates for every application.

