

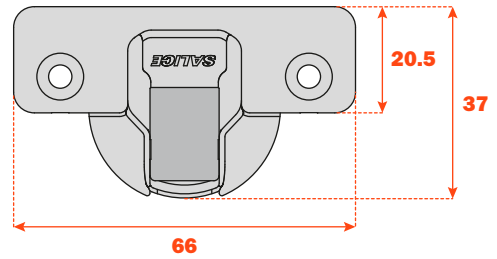
# Silentia

**Hinges with adjustable integrated soft-close mechanism operated by twin silicone-oil dampers housed in the hinge cup.**

**The decelerating effect is adjusted by using a simple switch.**

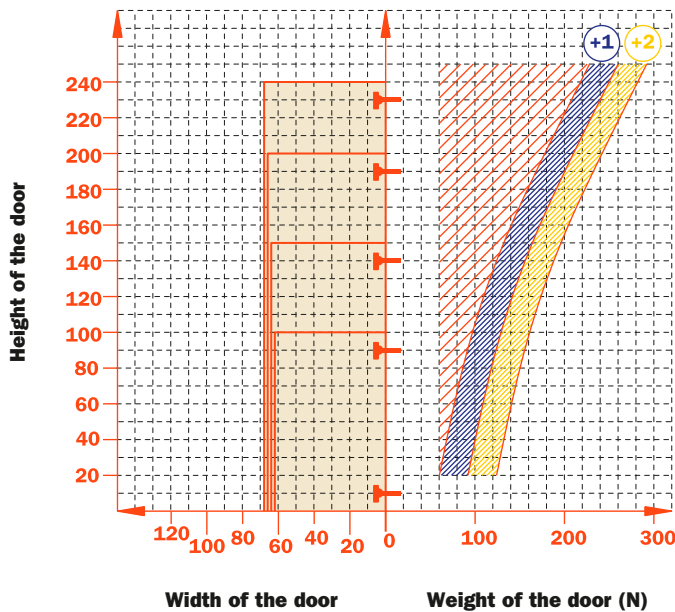
**Bright nickel plated steel cup and arm. Dimensions of the Ø 35 mm cup.**

## Technical features



Constant "L" value of 1.3 mm (it does not change during side adjustment).

Approx. number of hinges required according to the door dimension and weight.



## Adjustments

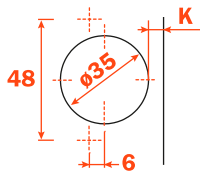
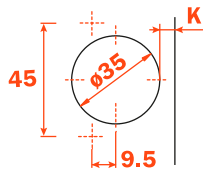
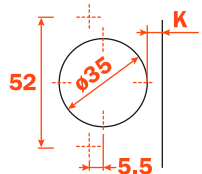

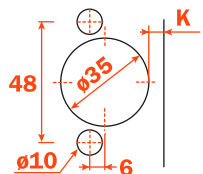
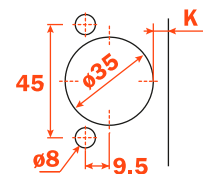
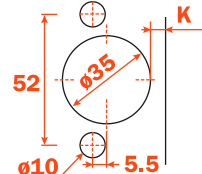
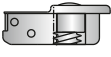

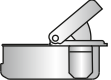
- Compensated side adjustment from -1.5 mm to +4.5 mm.
- Height adjustment  $\pm 2$  mm.
- Depth adjustment with Series 200 mounting plates +2.8 mm.
- Depth adjustment with Domi snap-on mounting plates from -0.5 mm to +2.8 mm.
- Anti-sliding safety stop.

## Mounting plates

- Symmetrical and asymmetrical bright nickel plated steel or die-cast Series 200 mounting plates.
- Snap-on assembly on Domi mounting plates.
- Positioning with pre-determined stop on traditional Series 200 mounting plates.

N.B. : Use POZIDRIVE No. 2 screwdrivers for all screws.

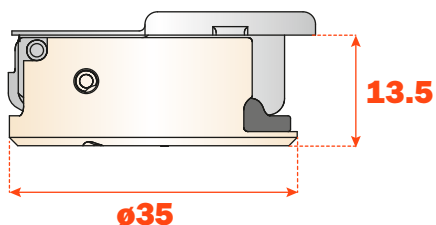
## Drillings and fixings

							
<b>Wood screw</b>		<b>A</b>	<b>A</b>	<b>P</b>	<b>P</b>	<b>U</b>	<b>U</b>
							
<b>Rapido</b>		<b>6</b>	<b>6</b>	<b>7</b>	<b>7</b>	<b>2</b>	<b>2</b>
<b>Dowel</b>		<b>B</b>	<b>B</b>	<b>R</b>	<b>R</b>	<b>W</b>	<b>W</b>
<b>Logica</b>		<b>I</b>	<b>I</b>	<b>J</b>	<b>J</b>	<b>Q</b>	<b>Q</b>

Use this table to identify the available drillings and fixings.

Fill the third position of the hinge code number with the letter or the number corresponding to your choice. I.e.: C7\_6AE9.

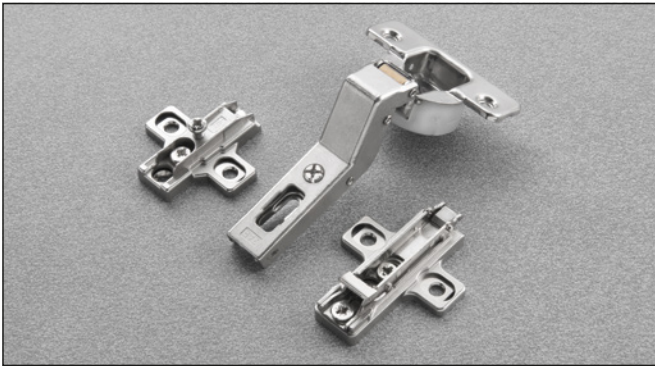
↑  
Fill this position with the chosen letter or number.



**110° opening  
and complementary hinges**

**155° opening**

**Silentia** • Series 700 • Complementary hinges



**Technical information**

Hinges with adjustable integrated soft-close mechanism operated by twin silicone-oil dampers housed in the hinge cup. The decelerating effect is adjusted by using a simple switch.

For wooden doors with positive angled assembly.

Hinges for min. 16 mm thick doors.

13.5 mm deep cup.

110° opening.

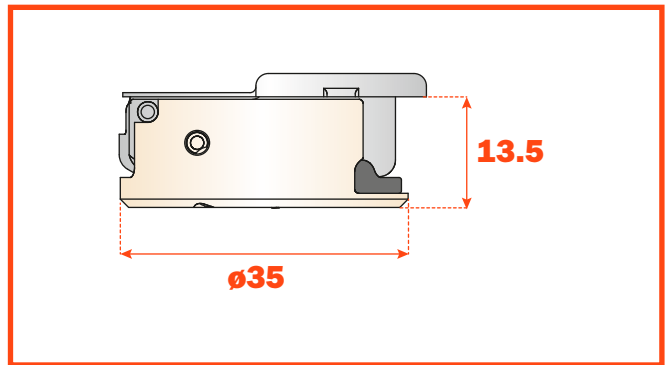
Possible drilling distance on the door (K): from 3 to 6 mm.

Compatible with all traditional Series 200 mounting plates and with all Domi snap-on mounting plates.

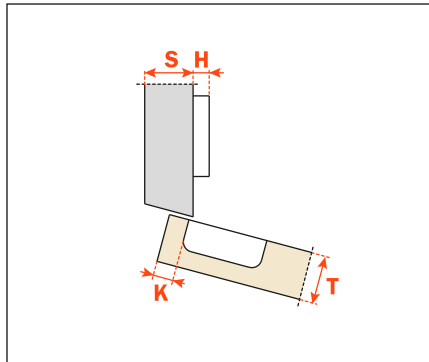
**Packing** • Boxes 150 pcs. • Pallets 3.600 pcs.

The solution of assembly problems where doors are mounted at a positive angle requires the verification of drilling distances by a practical trial. Please do not hesitate to consult our technical support department for assistance.

Use the tables "Drillings and fixings" at page 39 to complete the code number of the desired hinge.

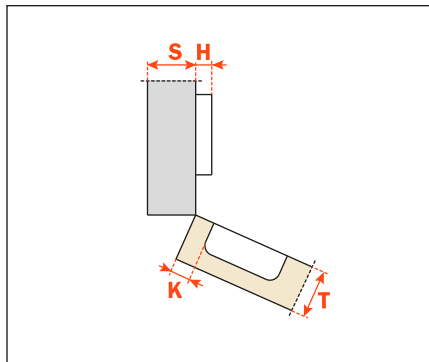


Arm 15°



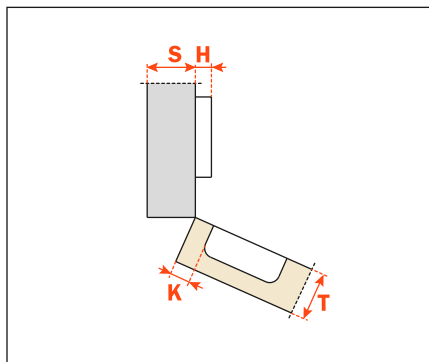
**C7\_6ZE9**

Arm 24°



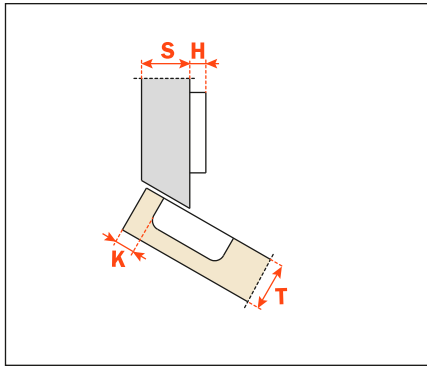
**C7\_6UE9**

Arm 30°



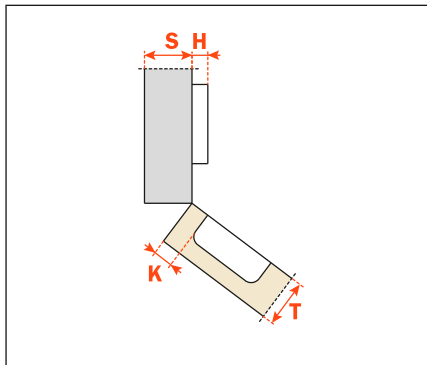
**C7\_6EE9**

Arm 30°



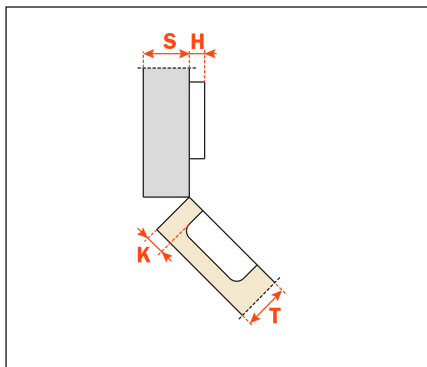
**C7\_6TE9**

Arm 37°



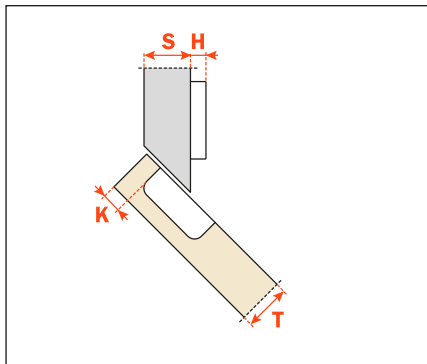
**C7\_6KE9**

Arm 45°



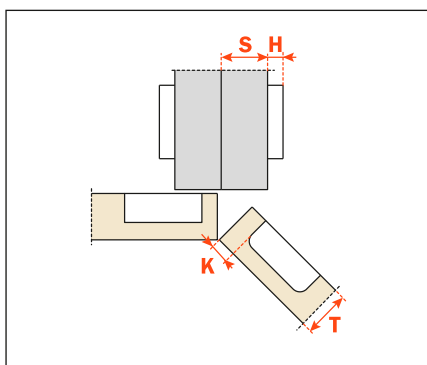
**C7\_6ME9**

Arm 45°



**C7\_6VE9**

Arm 45°



**C7\_6ME9AC**