

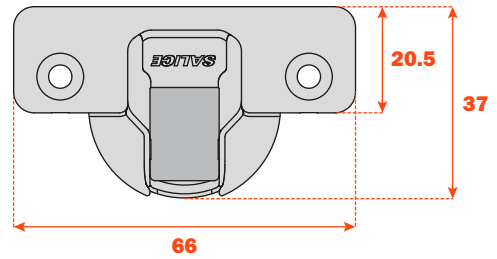
Silentia • Series 200 for thicker doors

Technical features

Hinges with adjustable integrated soft-close mechanism operated by twin silicone-oil dampers housed in the hinge cup.

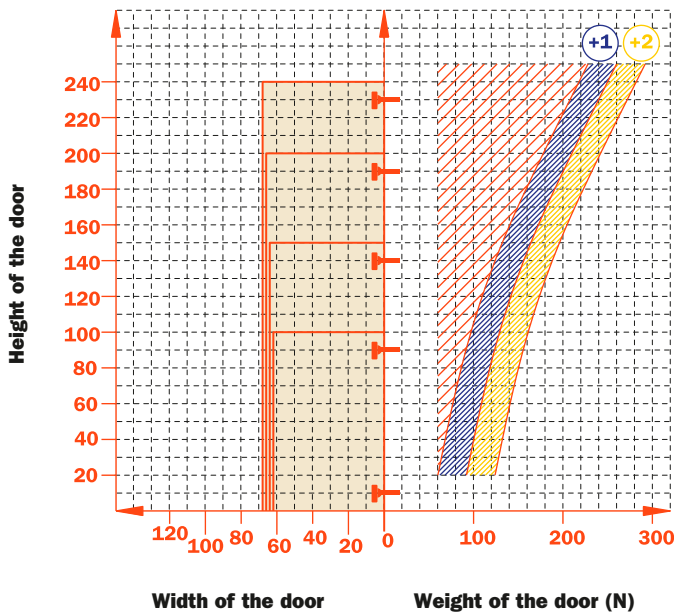
The decelerating effect is adjusted by using a simple switch.

Bright nickel plated steel cup and arm.
Dimensions of the Ø 35 mm cup.



Constant "L" value of 1.3 mm (it does not change during side adjustment).

Approx. number of hinges required according to the door dimension and weight.



Adjustments

- Compensating side adjustment from -1.5 mm to +4.5 mm.
- Height adjustment ±2 mm.
- Depth adjustment with Series 200 mounting plates +2.8 mm.
- Depth adjustment with Domi snap-on mounting plates from -0.5 mm to +2.8 mm.
- Anti-sliding safety stop.

Mounting plates

- Symmetrical and asymmetrical bright nickel plated steel or die-cast Series 200 mounting plates.
- Snap-on assembly on Domi mounting plates.
- Positioning with pre-determined stop on traditional Series 200 mounting plates.

N.B. : Use POZIDRIVE No. 2 screwdrivers for all screws.

Drillings and fixings

	94°	155°	94°	155°	94°	155°	
Wood screw		A	A	P	P	U	U

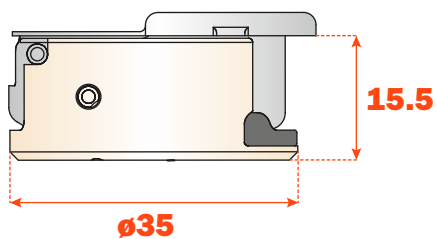
	94°	155°	94°	155°	94°	155°	
Rapido		6	6	7	7	2	2
Dowel		B	B	R	R	W	W
Logica		I	I	J	J	Q	Q

Use this table to identify the available drillings and fixings.

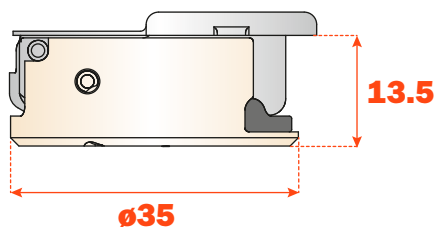
Fill the third position of the hinge code number with the letter or the number corresponding to your choice. I.e.: C2_BAE9.



Fill this position with the chosen letter or number.

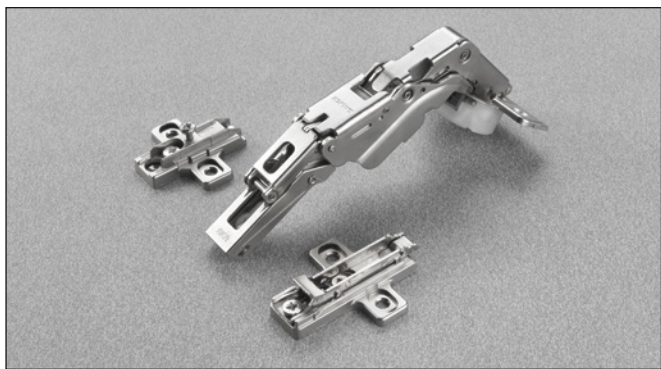


94° opening and complementary hinges



155° opening

Silentia • Series 200 for thicker doors • 155° opening



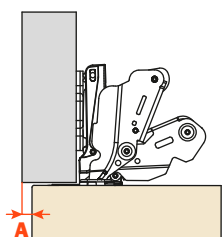
Technical information

Hinges with integrated soft-close mechanism operated by twin silicone-oil dampers housed in the hinge cup.

Hinges for thick doors 16 mm min.
Hinge with greater opening angle and reduced operating profile 13.5 mm deep cup.

155° opening.
Possible drilling distance on the door (K): from 3 to 8 mm.
Compatible with all traditional Series 200 mounting plates and with all Domi snap-on mounting plates.

Space needed to open the door



	T=	16	18	20	22	24	25	26	27	28
K=3	A=	0.0	0.0	0.0	0.0	0.0	0.10	0.40	0.75	1.20
K=4	A=	0.0	0.0	0.0	0.0	0.0	0.15	0.45	0.85	1.35
K=5	A=	0.0	0.0	0.0	0.0	0.0	0.20	0.50	0.95	120° 1.70
K=6	A=	0.0	0.0	0.0	0.0	0.0	0.25	0.60	1.10	120° 1.95
K=7	A=	0.0	0.0	0.0	0.0	0.0	0.30	0.70	1.30	92° 2.30
K=8	A=	0.0	0.0	0.0	0.0	0.0	0.35	0.85	120° 1.70	92° 2.80
K=9	A=	0.0	0.0	0.0	0.0	0.15	0.55	1.20	92° 2.15	

With opening stop device to 92° art. S2BM37XG

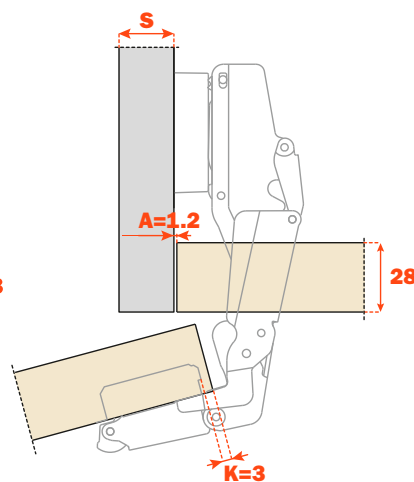
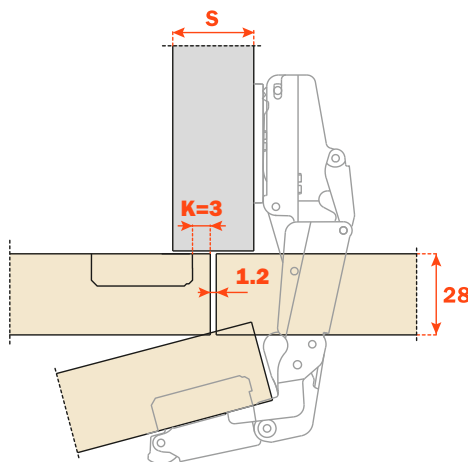
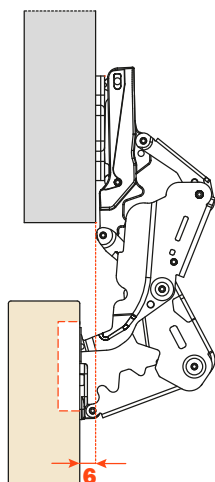
With opening stop device to 120° art. S2AM37XG

The above values are calculated on the assumption that the doors have square edges. They are reduced if the doors have radiussed edges.

Spaces with removable components.

“C” value

The door combined with a mounting plate H=0 and a straight arm hinge opens at 90° with lateral door protrusion of 6 mm.

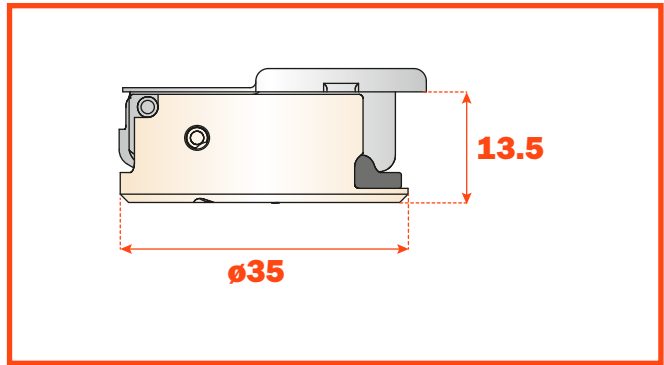


Packing • Boxes 100 pcs. • Pallets 2.400 pcs.

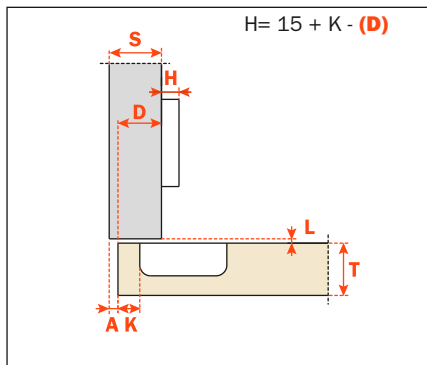
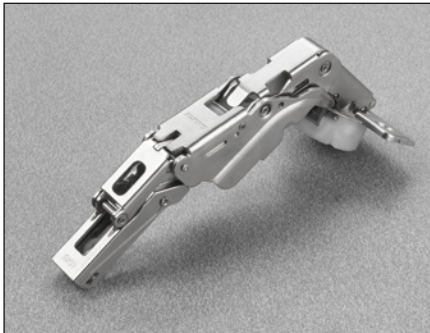
Use these formulas to determine the type of hinge arm, the drilling distance "K" and the height of the mounting plate "H" which is necessary to solve each application problem.

To limit the opening of the hinge, see page 69 chapter "Accessories".

Use the tables "Drillings and fixings" at page 21 to complete the code number of the desired hinge.

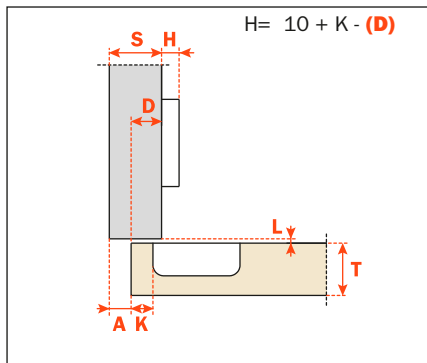


Arm 0



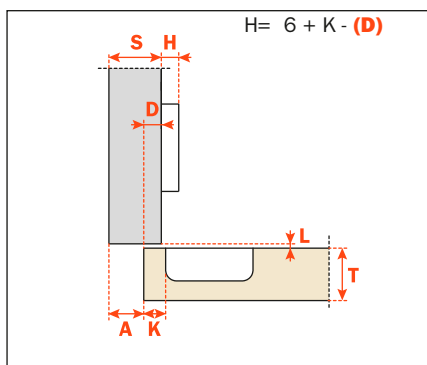
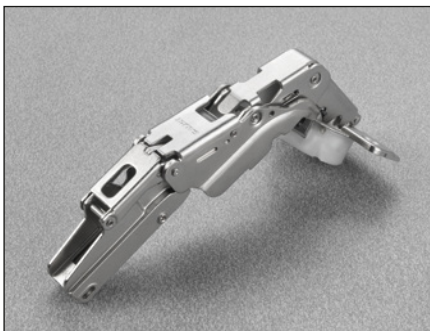
C2_KAE9

Arm 5

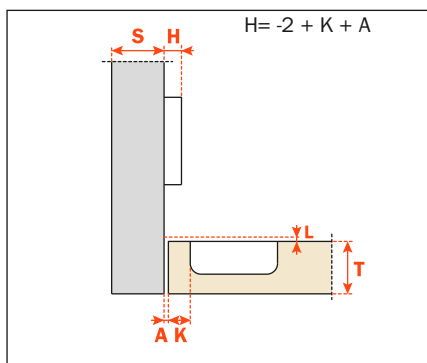


C2_KDE9

Arm 9



C2_KGE9



C2_KPE9