

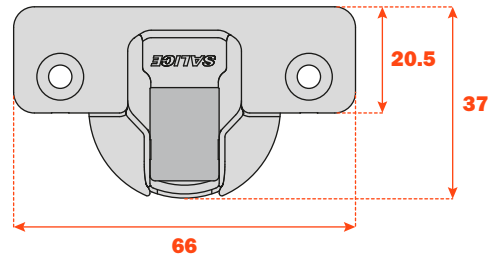
**Silentia** • Series 100

Hinges with adjustable integrated soft-close mechanism operated by twin silicone-oil dampers housed in the hinge cup.

The decelerating effect is adjusted by using a simple switch.

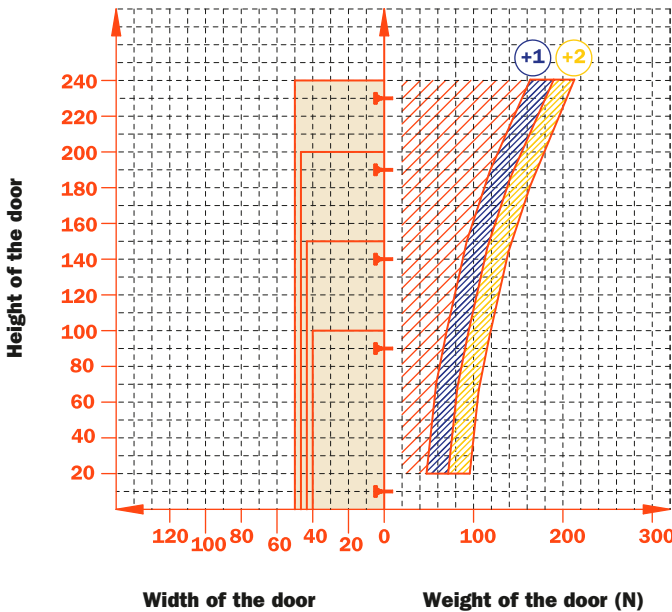
Bright nickel plated steel cup and arm.  
Dimensions of the Ø 35 mm cup.  
Hinges for doors of small weight and thickness.

**Technical features**



Constant "L" value of 1.3 mm (it does not change during side adjustment).

Approx. number of hinges required according to the door dimension and weight.



**Adjustments**

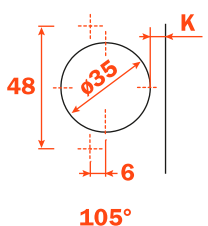
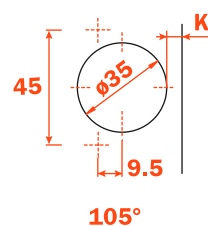
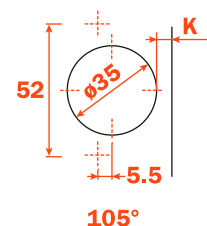

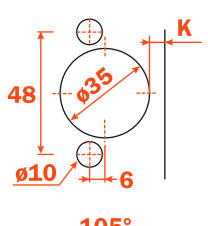
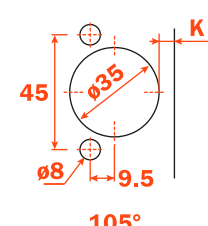
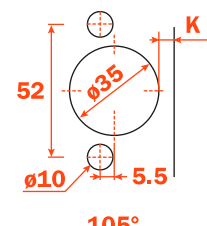
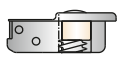

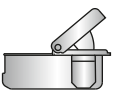
Compensated side adjustment from -1.5 mm to +4.5 mm.  
Height adjustment ±2 mm.  
Depth adjustment with Series 200 mounting plates +2.8 mm.  
Depth adjustment with Domi snap-on mounting plates from -0.5 mm to +2.8 mm.  
Anti-sliding safety stop.

**Mounting plates**

Symmetrical and asymmetrical bright nickel plated steel or die-cast Series 200 mounting plates.  
Snap-on assembly on Domi mounting plates.  
Positioning with pre-determined stop on traditional Series 200 mounting plates.

N.B. : Use POZIDRIVE No. 2 screwdrivers for all screws.

## Drillings and fixings

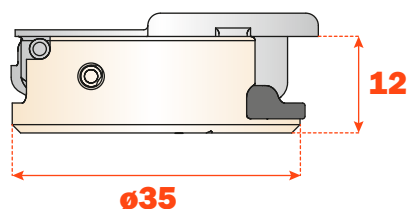
				
<b>Wood screw</b>		<b>A</b>	<b>P</b>	<b>U</b>
				
<b>Rapido</b>		<b>6</b>	<b>7</b>	<b>2</b>
<b>Dowel</b>		<b>B</b>	<b>R</b>	<b>W</b>
<b>Logica</b>		<b>I</b>	<b>J</b>	<b>Q</b>

Use this table to identify the available drillings and fixings.

Fill the third position of the hinge code number with the letter or the number corresponding to your choice. I.e.: C1\_6AE9.

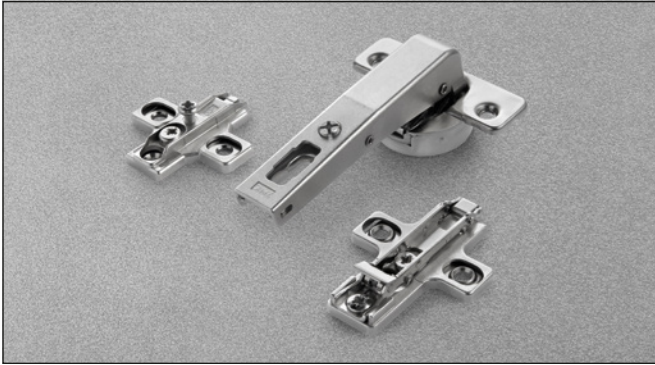


Fill this position with the chosen letter or number.



**105° opening  
and complementary hinges**

**Silentia**



**Technical Information**

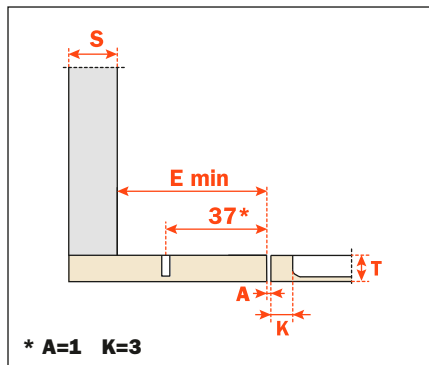
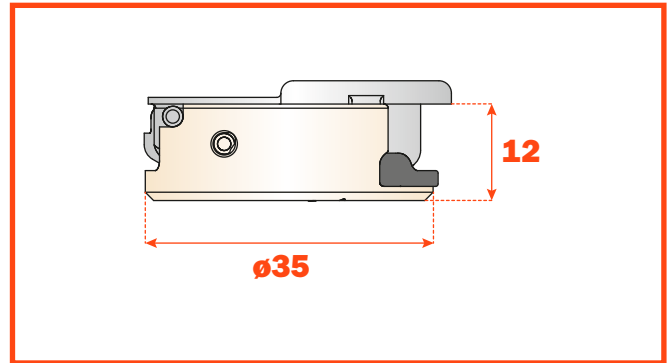
Hinges with adjustable integrated soft-close mechanism operated by twin silicone-oil dampers housed in the hinge cup. The decelerating effect is adjusted by using a simple switch.

**Crampon hinges. For cabinet sides with 37x32 standard drilling. Hinges for doors of small weight and thickness. 12 mm deep cup.**

105° opening.  
Possible drilling distance on the door (K): from 3 to 6 mm.  
Compatible with all traditional Series 200 mounting plates and with all Domi snap-on mounting plates.

**Packing** • Boxes 150 pcs. • Pallets 3.600 pcs.

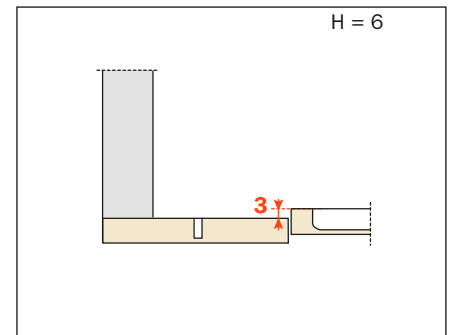
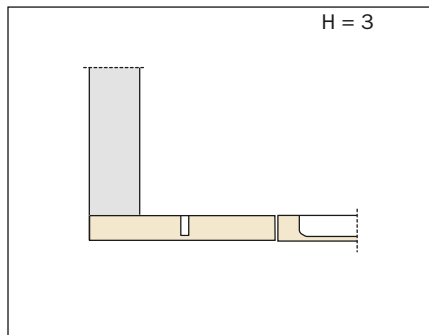
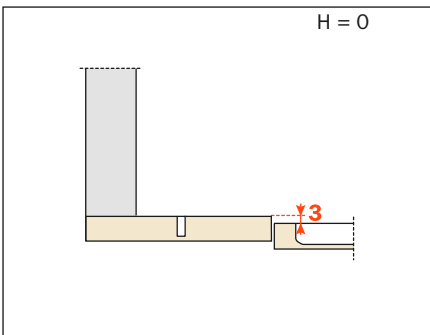
Use the tables "Drillings and fixings" at page 11 to complete the code number of the desired hinge.

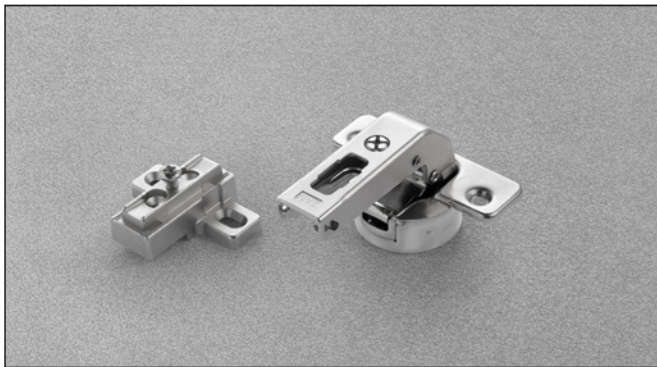


**C1\_6NE9AC**

**E min:**  
 • 61 mm for Series 200 mounting plates.  
 • 70 mm for Domi snap-on mounting plates.  
 • 74 mm for Domi snap-on mounting plates with back cam.

Heights of mounting plates for every assembly.





### Technical information

**Hinges with adjustable integrated soft-close mechanism operated by twin silicone-oil dampers housed in the hinge cup. The decelerating effect is adjusted by using a simple switch.**

**Crampon hinges. For smaller spaces with 15x32 mm drilling. Hinges for min. 18 mm thick doors. 12 mm deep cup.**

94° opening.

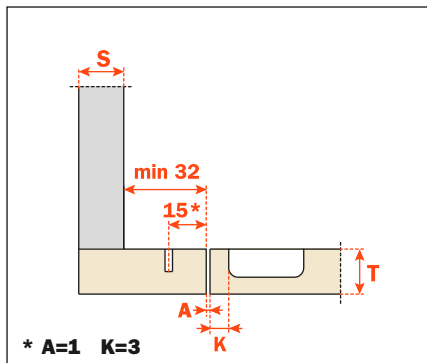
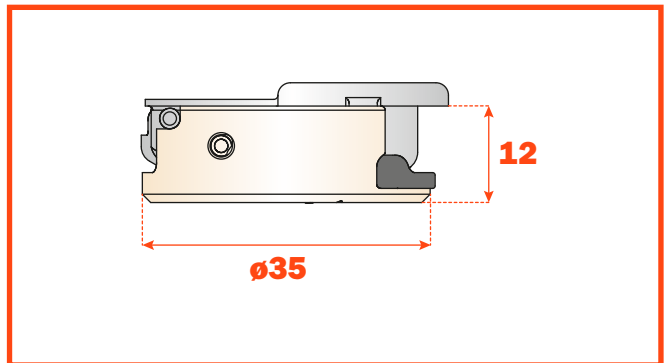
Possible drilling distance on the door (K): from 3 to 9 mm.

Compatible with all traditional Series 200 mounting plates, 28x32 mm drilling.

**NOT COMPATIBLE** with Domi snap-on mounting plates.

**Packing** • Boxes 150 pcs. • Pallets 3.600 pcs.

Use the tables "Drillings and fixings" at page 11 to complete the code number of the desired hinge.



**C1\_6NE9**

Heights of mounting plates for every assembly.

