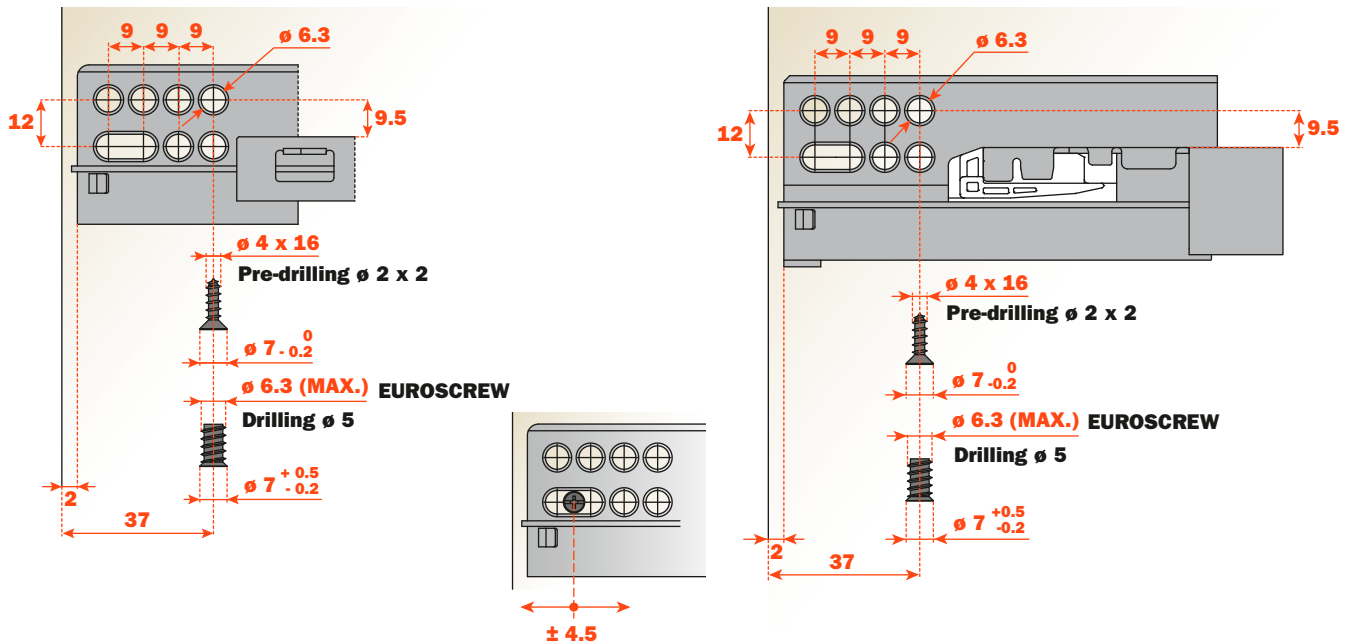


Fixing

Fixing part-extension runner on cabinet side.

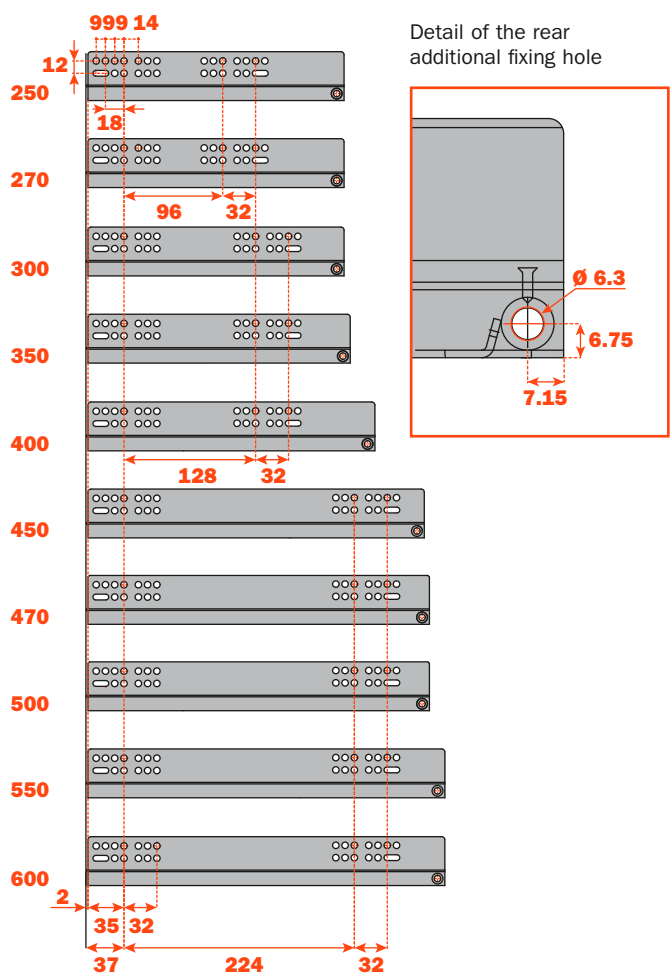
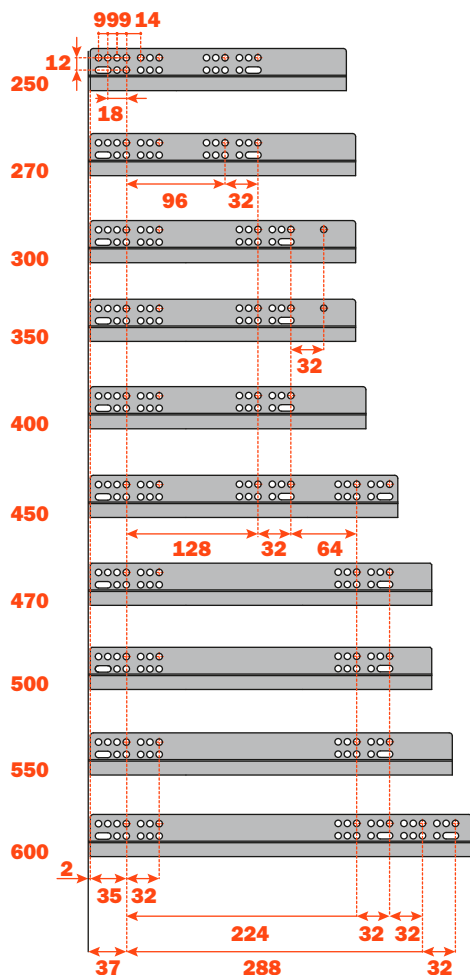
Fixing full-extension runner on cabinet side.



The oval slot allows the easy alignment of drawer frontals particularly in multi drawer and Push applications.

Drilling positions for runner on cabinet side. Part-extension

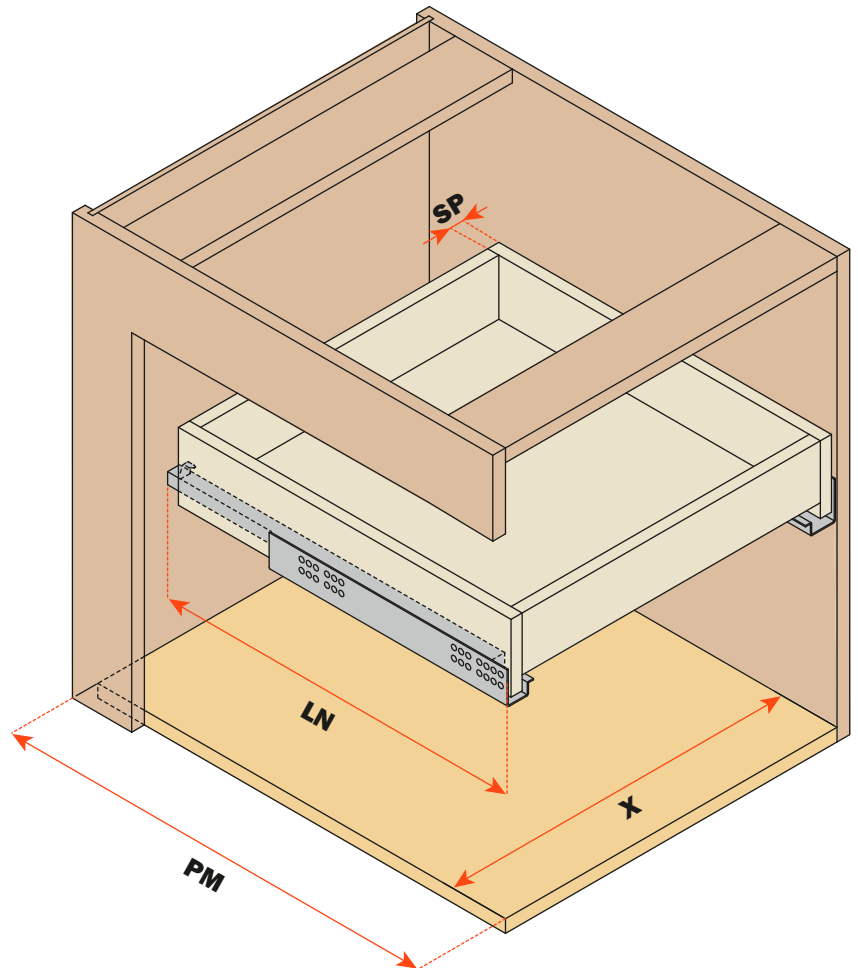
Drilling positions for runner on cabinet side. Full-extension



Futura - Pin fix version - Drawer setting

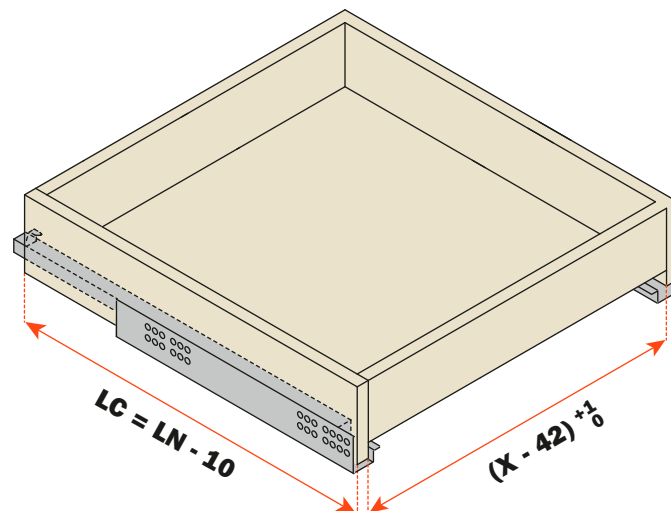
Abbreviations

- SP** = Thickness of the drawer
- LN** = Nominal runner length
- PM** = Depth of the cabinet
- X** = Internal width of the cabinet



Drawer dimensions

- LC** = Runner length - 10 mm
- X - 42** = Internal width of the drawer

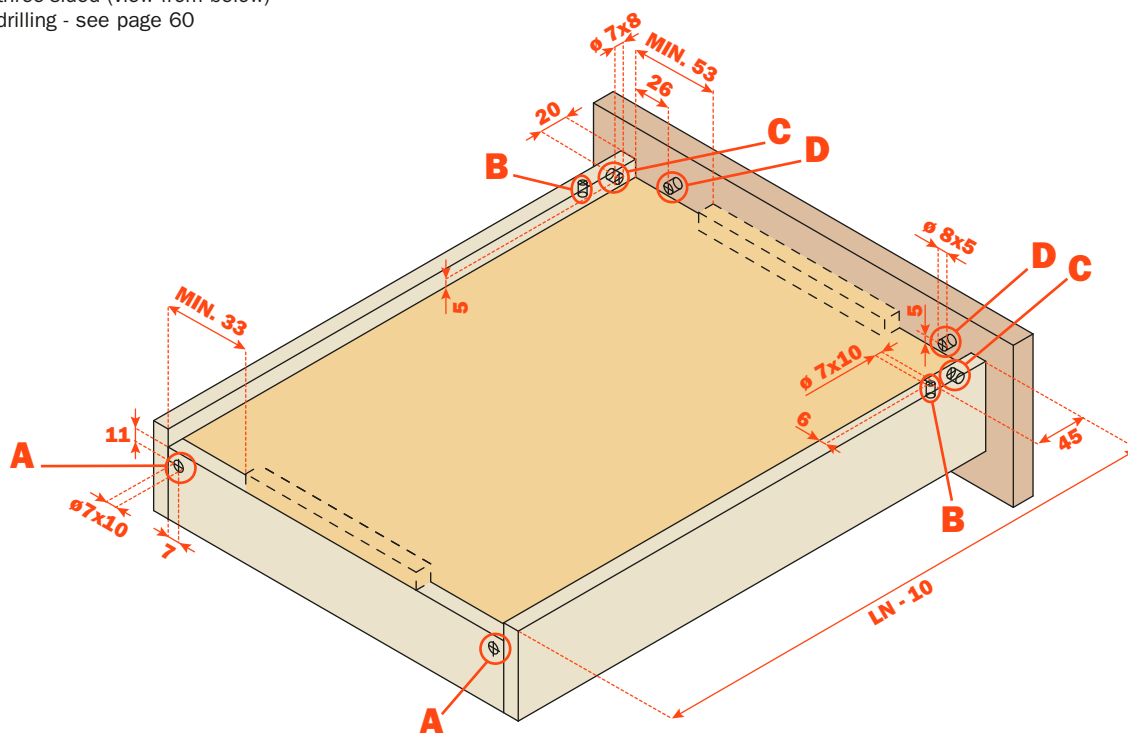


The drawer length is 10 mm shorter than the runner length

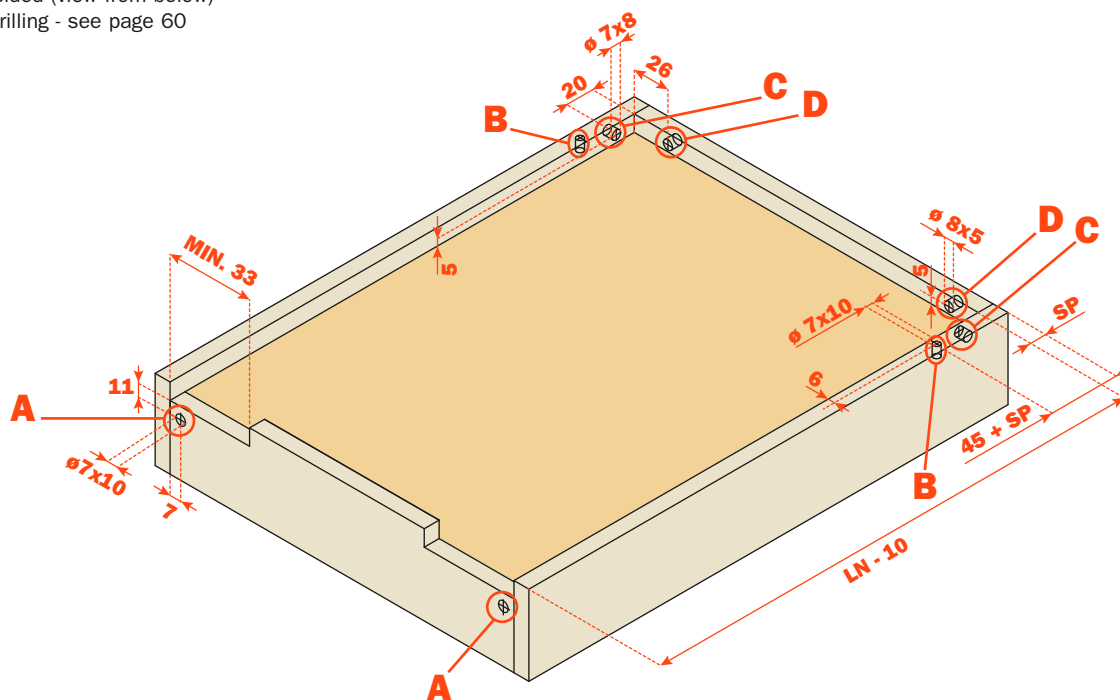
The internal width of the drawer is 42 mm less than the internal width of the cabinet

Pin fix version - Drawer drilling

Drawer with frontal - three-sided (view from below)
 Template for drawer drilling - see page 60



Internal drawer - four-sided (view from below)
 Template for drawer drilling - see page 60

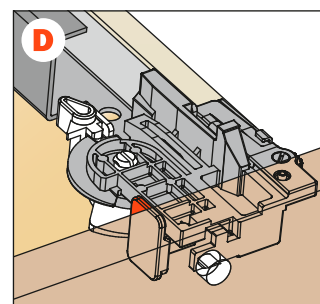
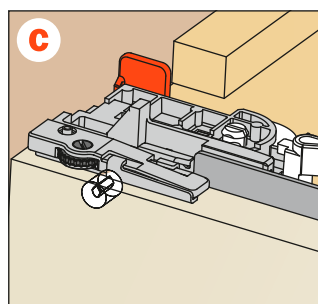
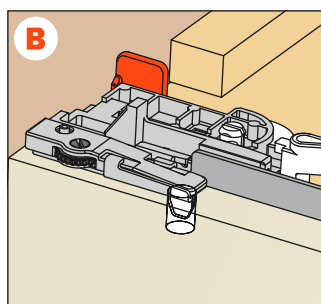
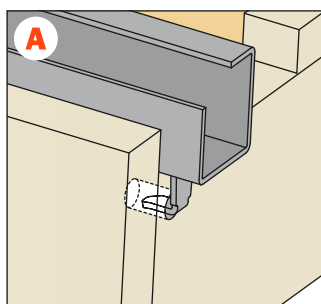


Rear hook

Drawer locating pin

Security pin - fixing to the drawer

Security pin - fixing to the frontal



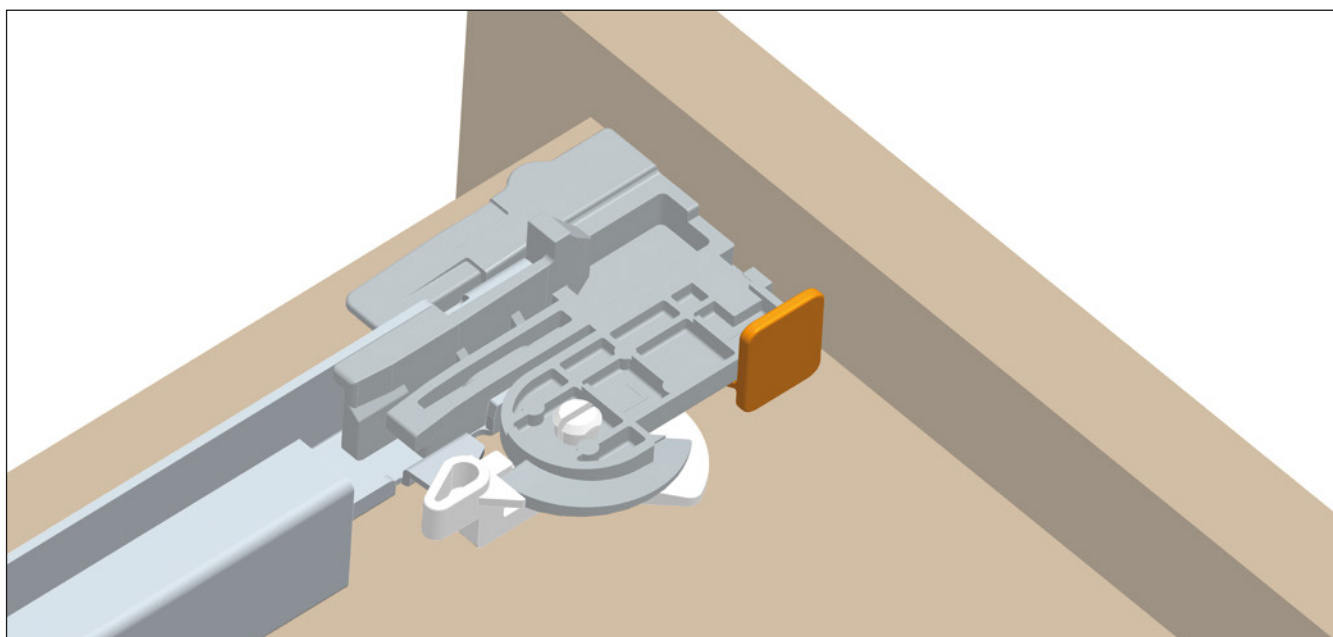
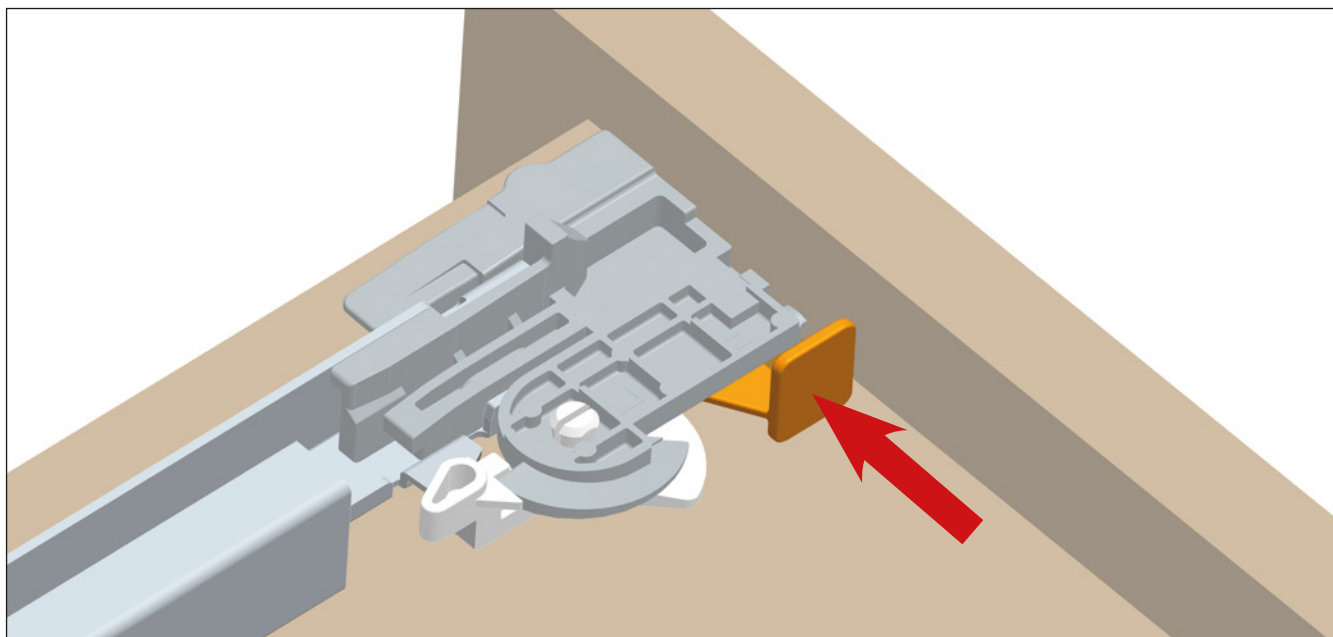
Futura - Pin fix version - Technical information

Fixing of the drawer security pin

Available on all runner versions.

This operation is tool free.

The device locks the drawer onto the runners.

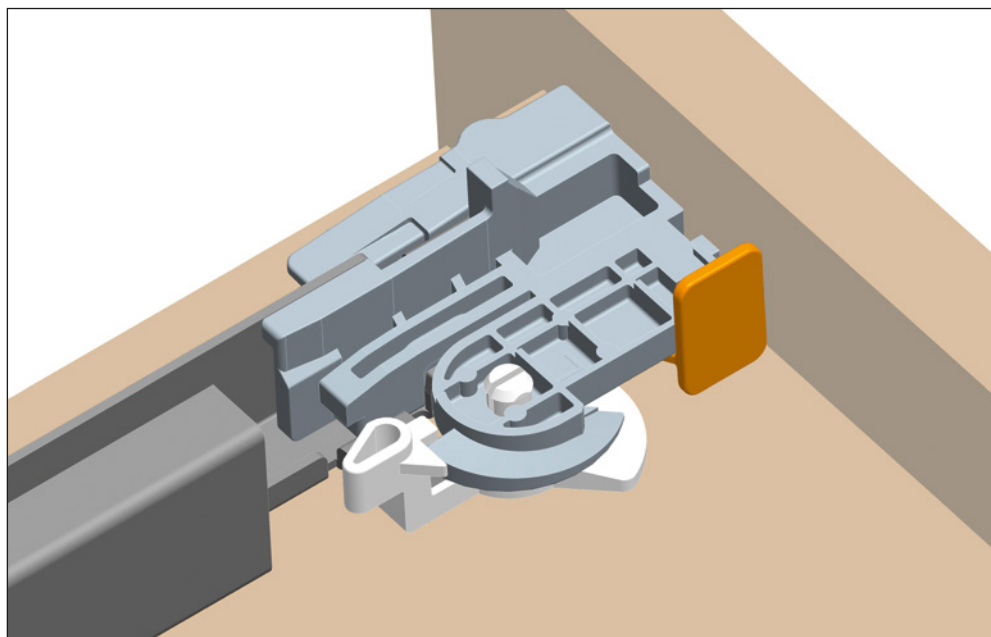
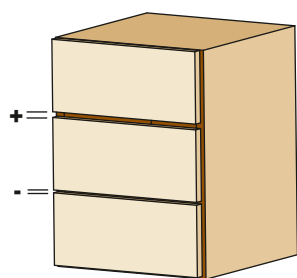


Pin-fix version - Adjustments

Height adjustment + 3 mm

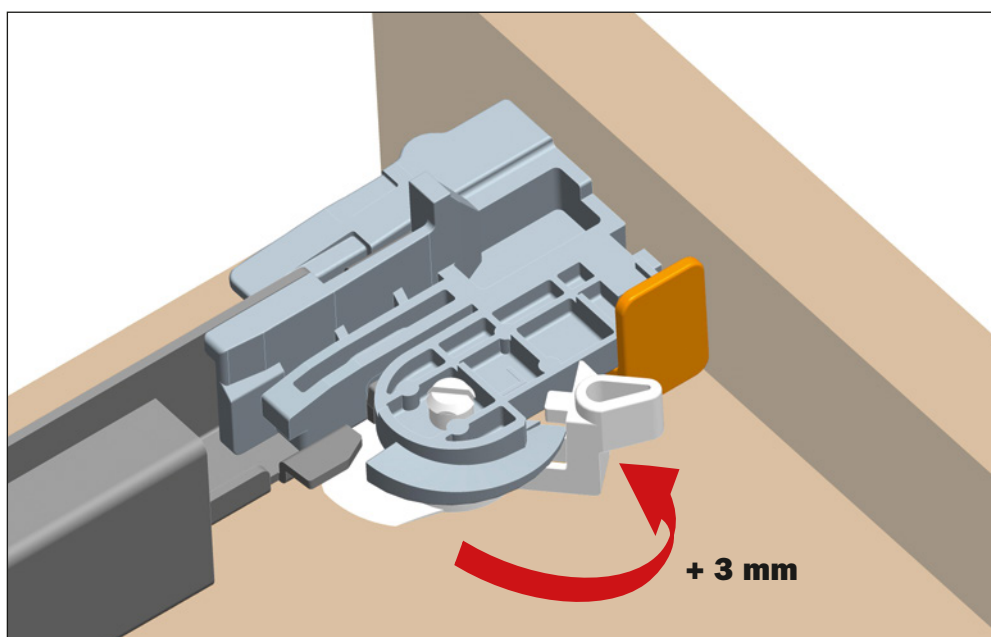
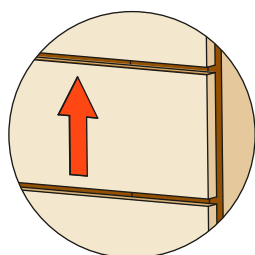
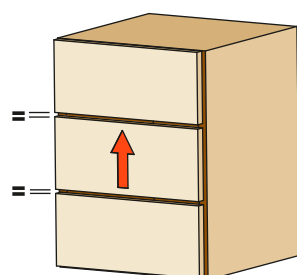
Available on all runner versions.
This operation is tool free.

Initial position of the lever for the height adjustment.



Turn the lever towards the front of the drawer to achieve the height adjustment.

This operation is tool free.

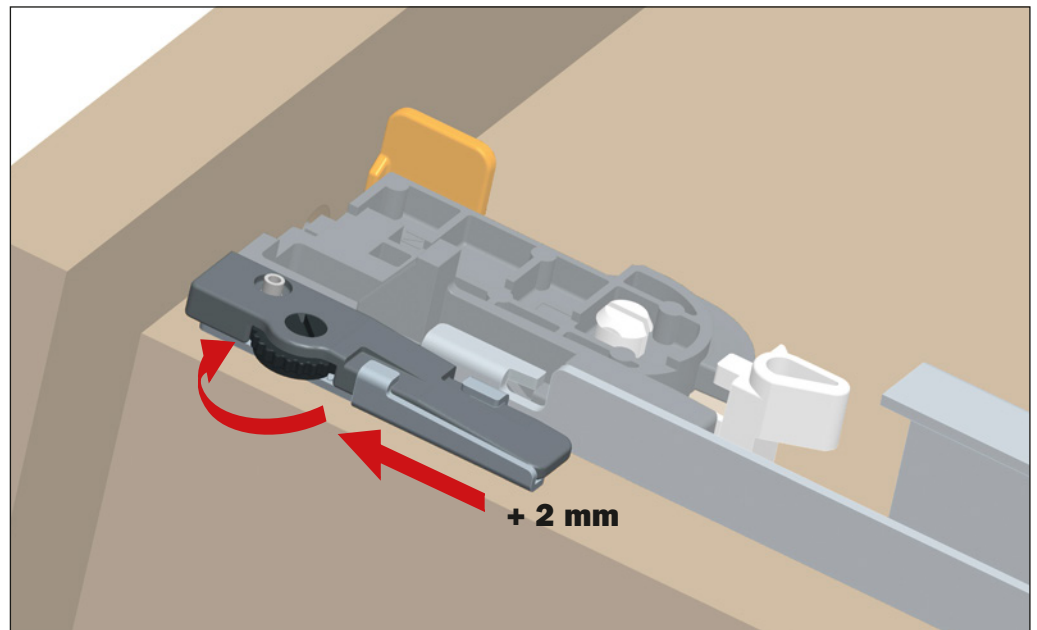
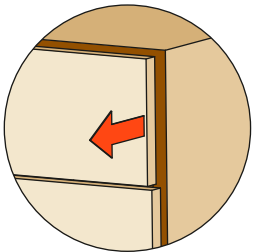
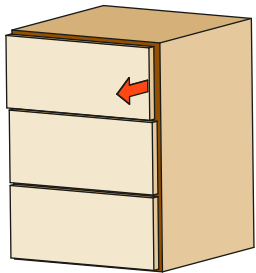


Futura - Pin fix version - Adjustments**Depth adjustment + 2 mm - 2 mm**

Available on all Push runners.

Rotate the black wheel towards the front of the drawer to move the drawer forward.

This operation is tool free.



Rotate the black wheel towards the back of the drawer to move the drawer backward.

This operation is tool free.

