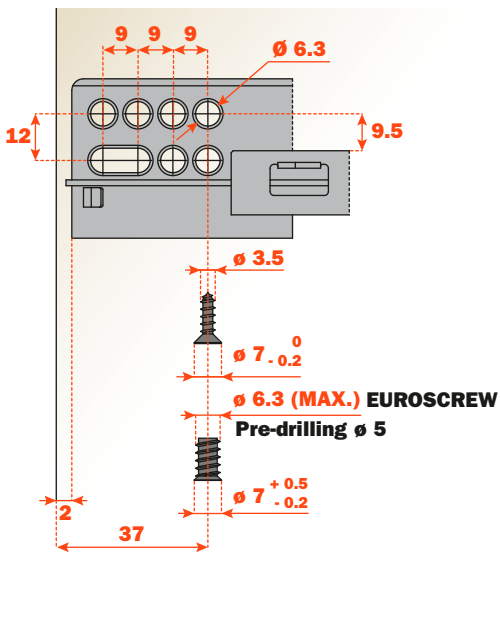
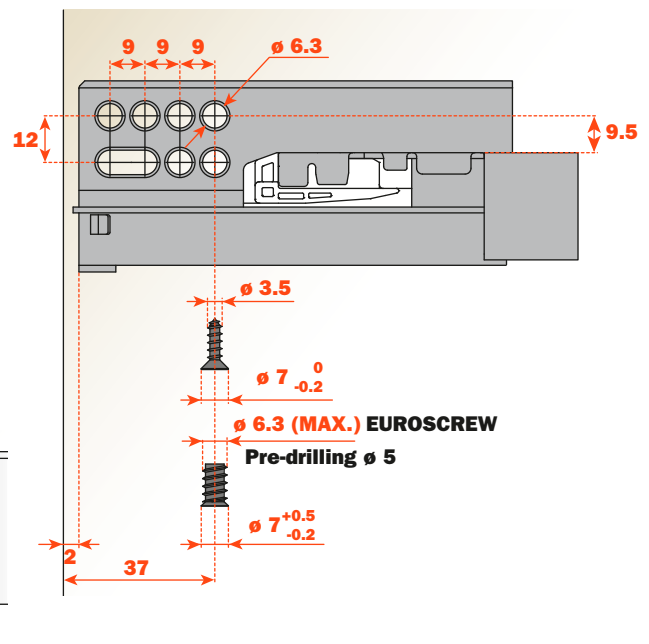


## Fixing part-extension runner on cabinet side.

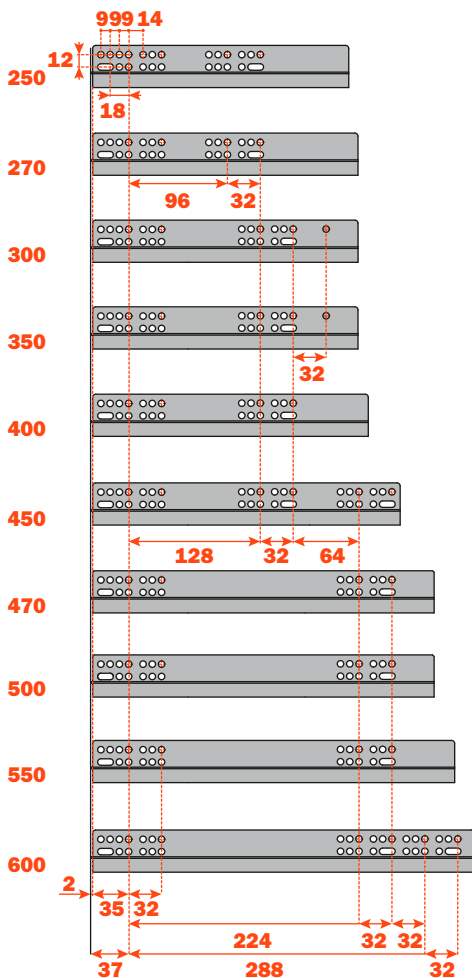


## Fixing full-extension runner on cabinet side.

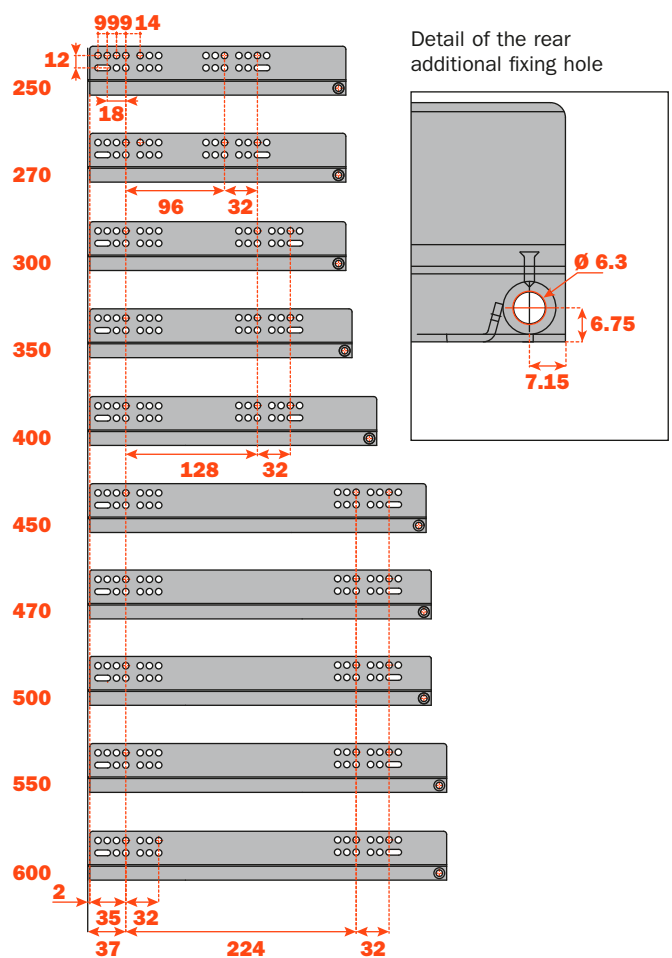


The oval slot allows the easy alignment of drawer frontals particularly in multi drawer and Push applications.

## Drilling positions for runner on cabinet side. Part-extension



## Drilling positions for runner on cabinet side. Full-extension



## Drawer setting: abbreviations

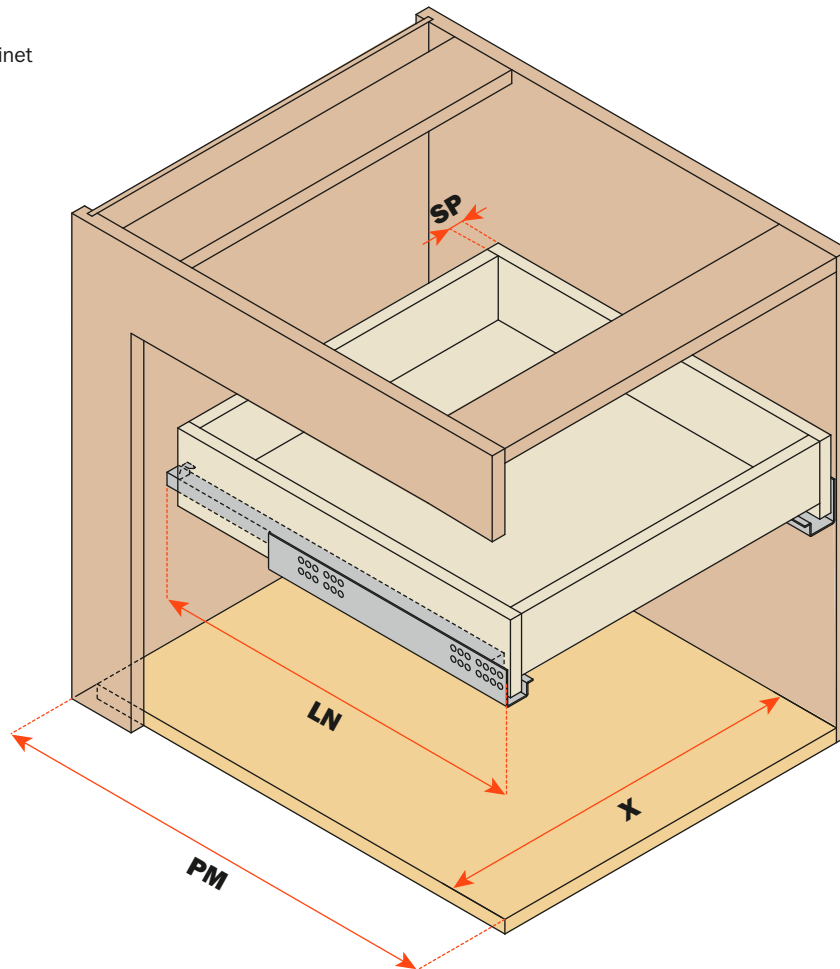
### Chest of drawers

**SP** = Thickness of the drawer

**LN** = Nominal runner length

**PM** = Depth of the cabinet

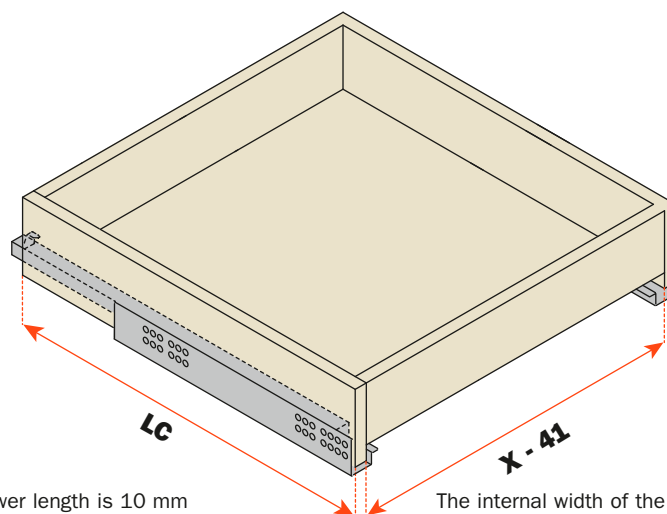
**X** = Internal width of the cabinet



### Drawer dimensions

**LC** = Runner length - 10 mm

**X - 41** = Internal width of the drawer

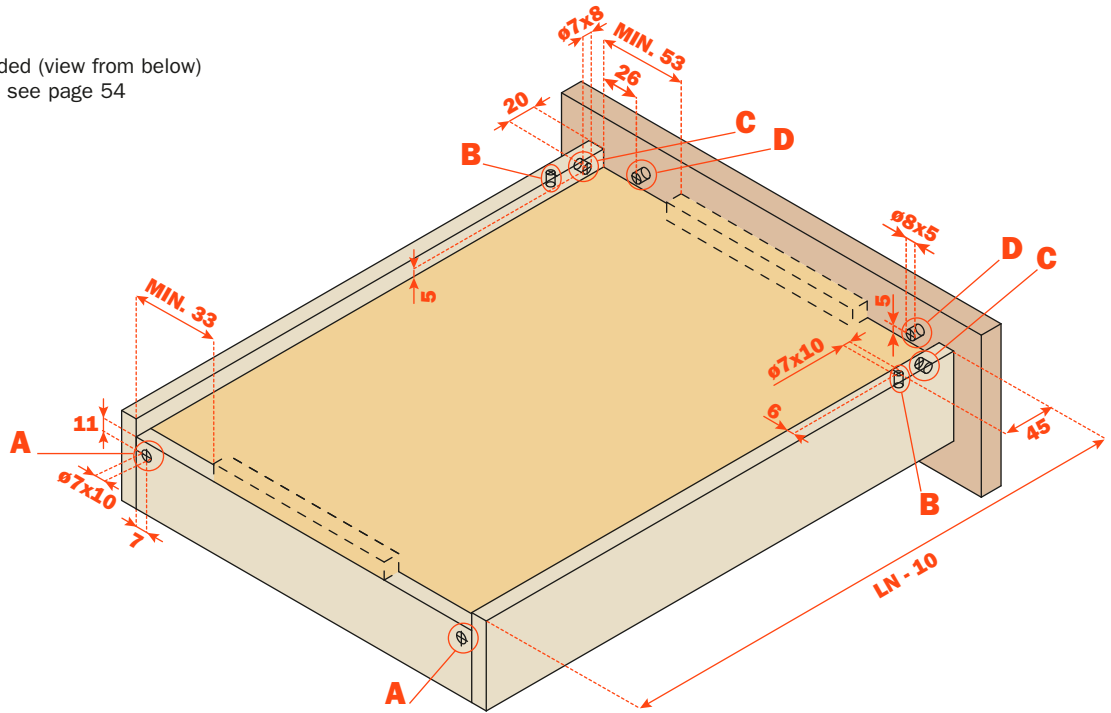


The drawer length is 10 mm shorter than the runner length

The internal width of the drawer is 41 mm less than the internal width of the cabinet

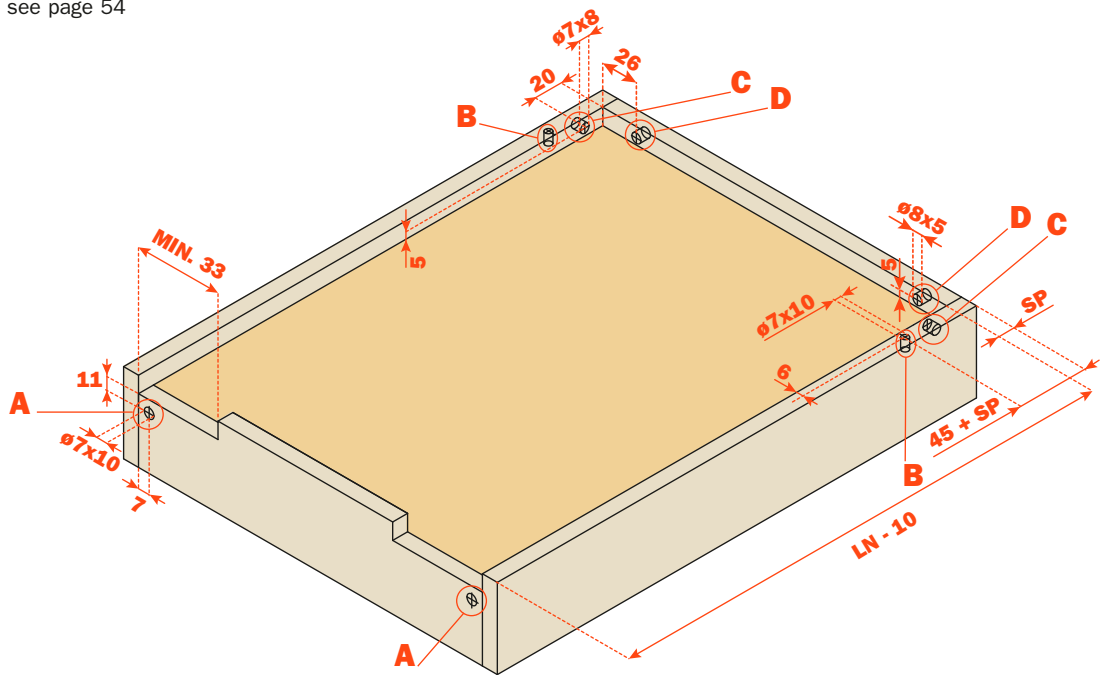
**Drawer drilling**

Drawer with frontal - three-sided (view from below)  
 Template for drawer drilling - see page 54

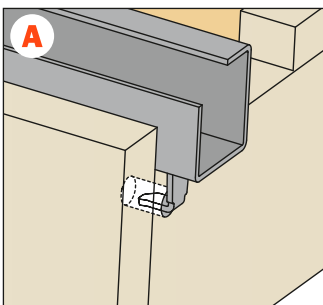


**Drawer drilling**

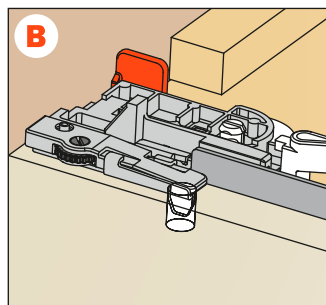
Internal drawer - four-sided (view from below)  
 Template for drawer drilling - see page 54



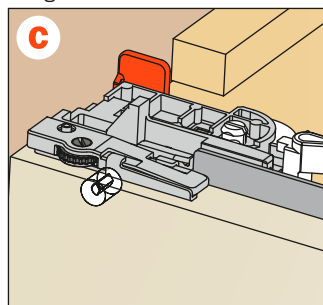
Rear hook



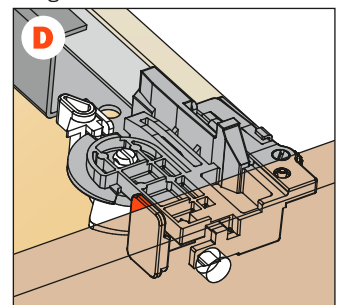
Drawer locating pin



Security pin - fixing to the drawer

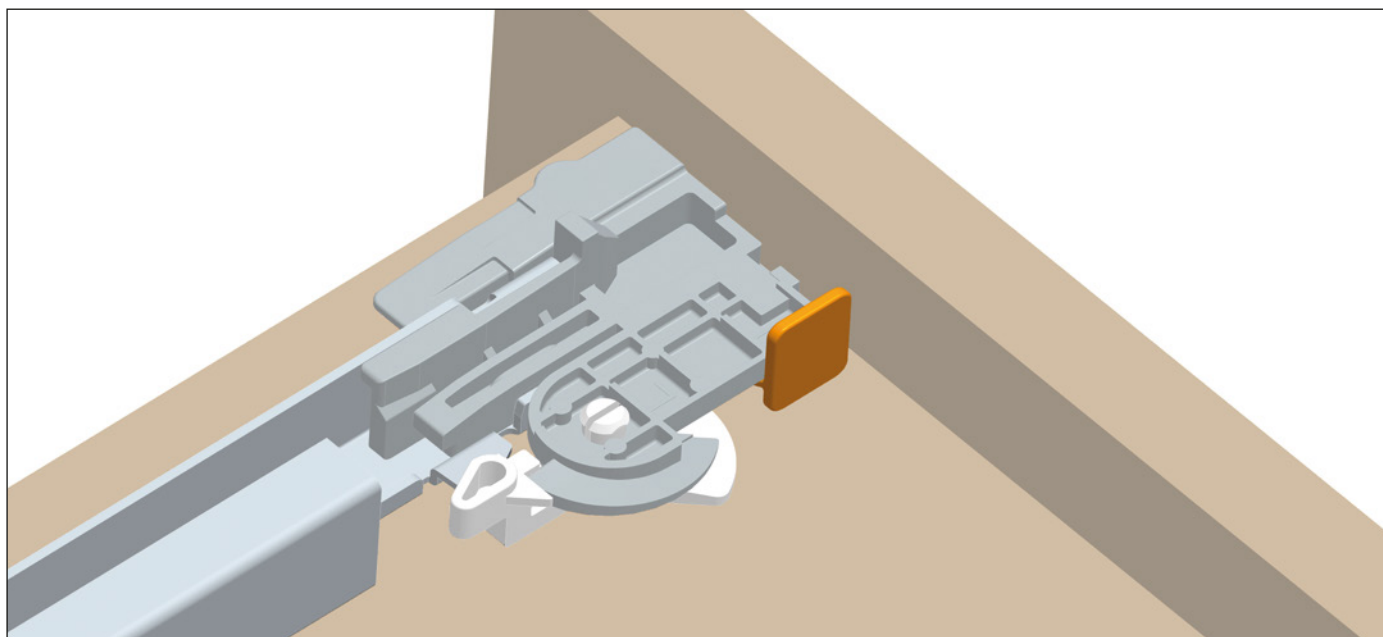
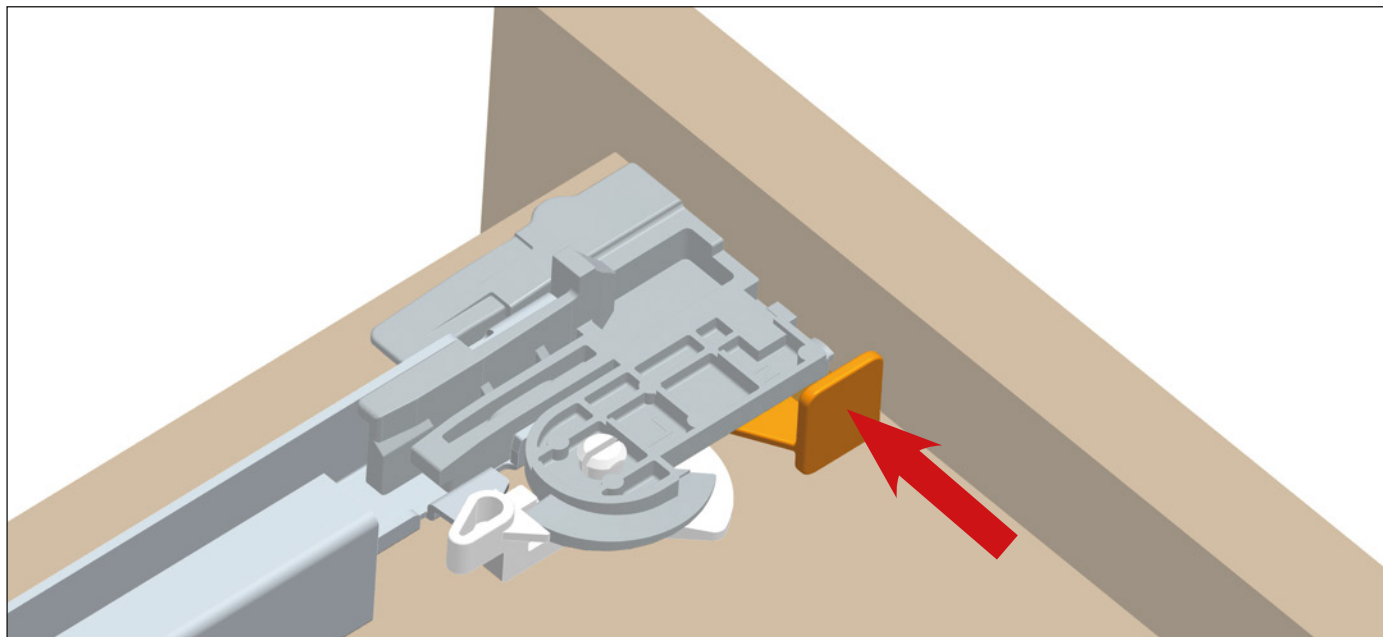


Security pin - fixing to the frontal



**Fixing of the drawer security pin**

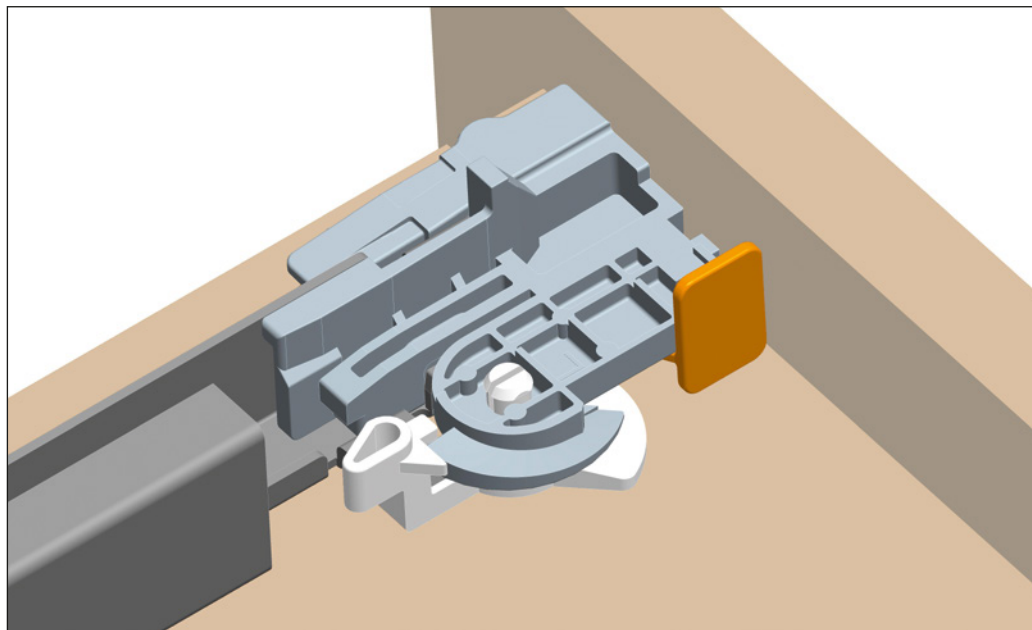
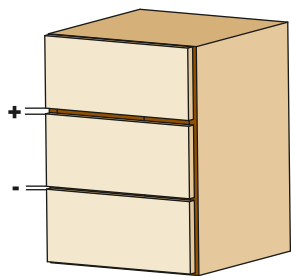
Available on all runner versions.  
This operation is tool free.  
The device locks the drawer onto the runners.



**Height adjustment + 3 mm**

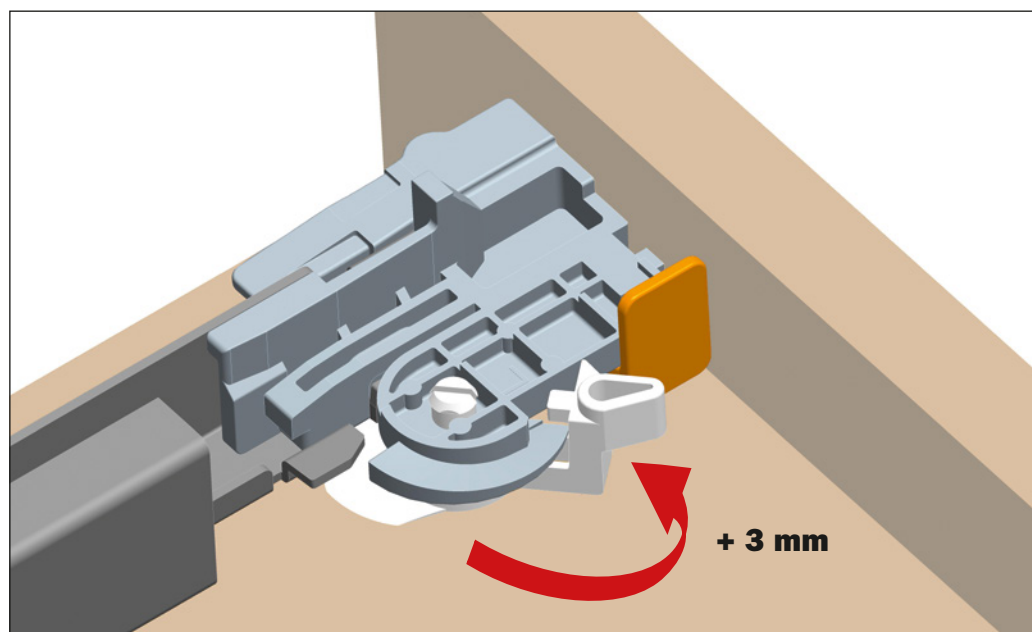
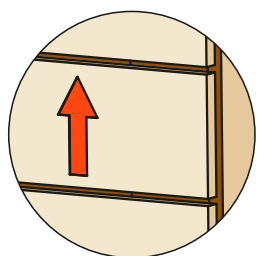
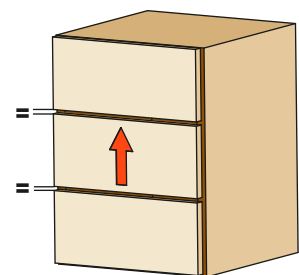
Available on all runner versions.  
This operation is tool free.

Initial position of the lever for the height adjustment.



Turn the lever towards the front of the drawer to achieve the height adjustment.

This operation is tool free.

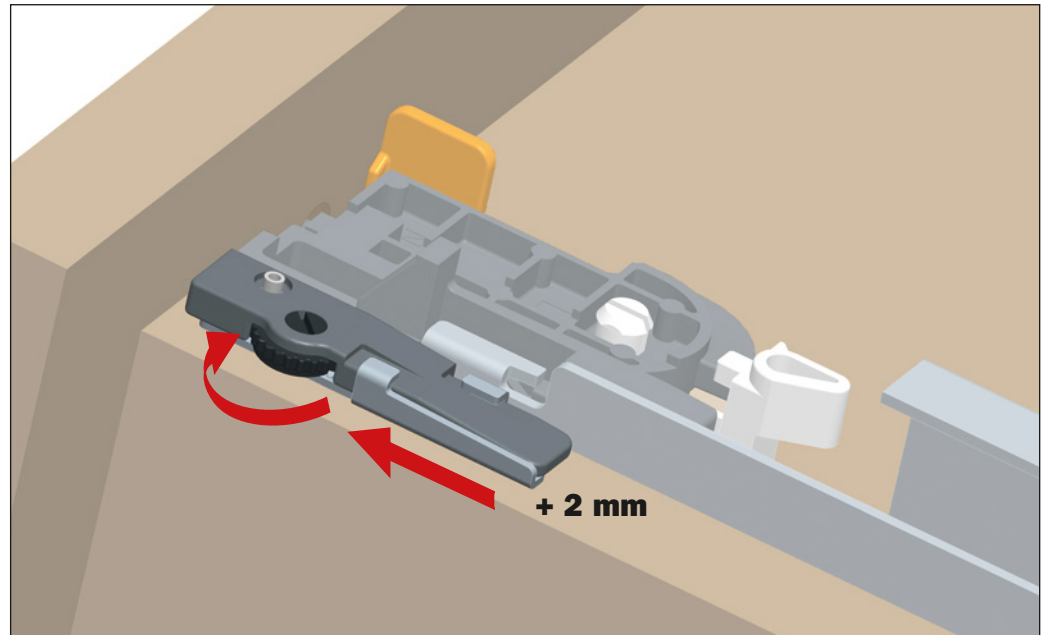
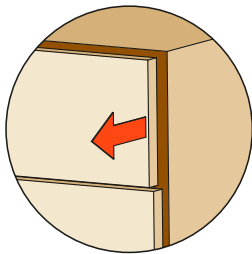
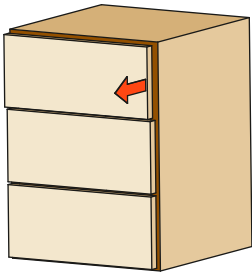


## Depth adjustment + 2 mm - 2 mm

Available on all Push runners.

Rotate the black wheel towards the front of the drawer to increase the gap between the front and the side.

This operation is tool free.



Rotate the black wheel towards the back of the drawer to reduce the gap between the front and the side.

This operation is tool free.

