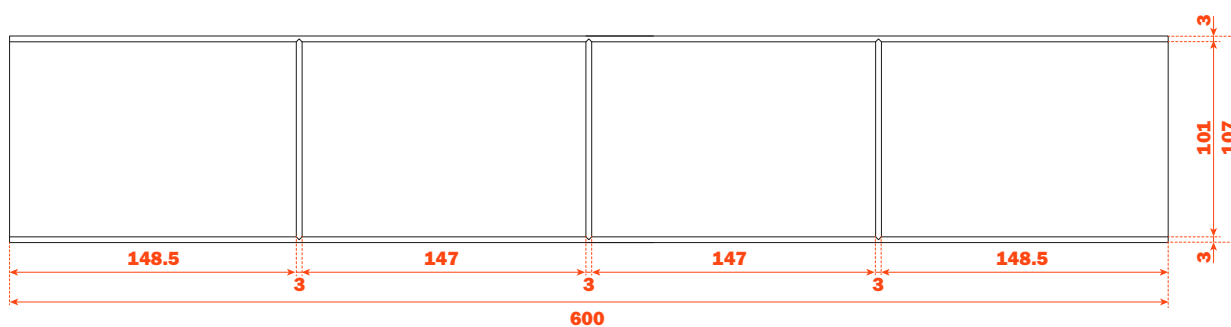
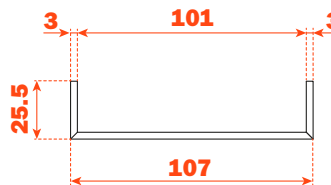
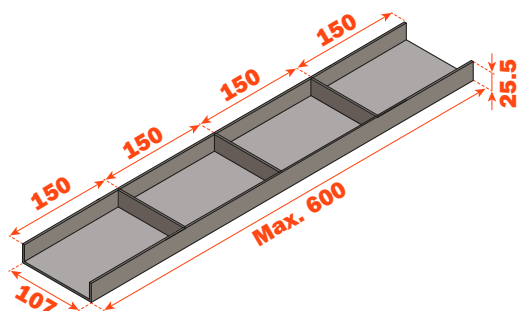


Split - Bridging Units

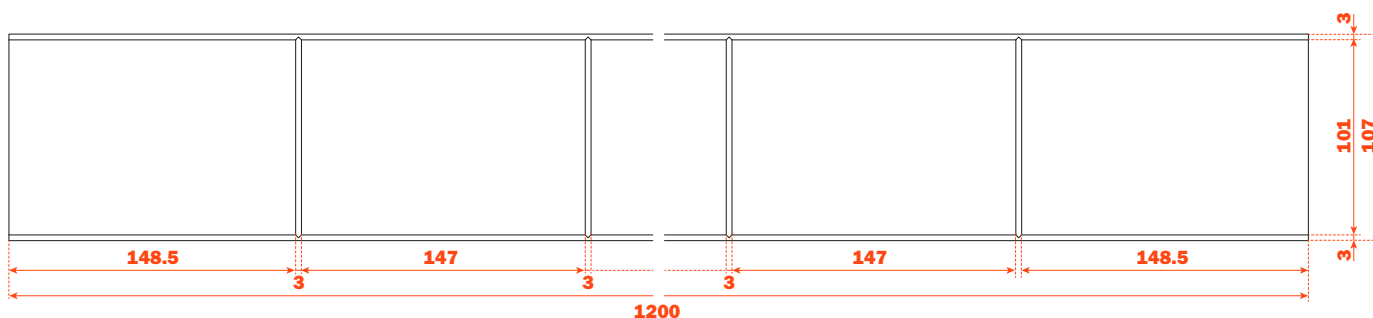
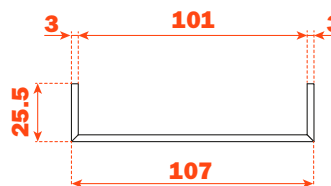
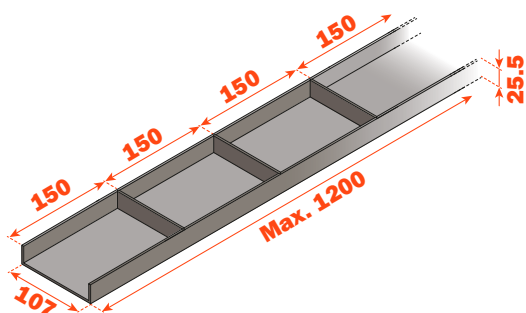
ADEP2_X600X107

- Bridging unit with both vertical and horizontal sliding option. Equipped with removable internal dividers. Optional aluminium internal dividers. To be ordered separately.
- Outside dimensions (mm) 600x107 H 25.5 To be cut to measure.
- Packing: 2 pcs per box



ADEP2_1200X107

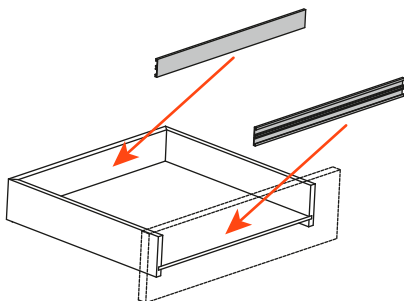
- Bridging unit with both vertical and horizontal sliding option. Equipped with removable internal dividers. Optional aluminium internal dividers. To be ordered separately.
- Outside dimensions (mm) 1200x107 H 25.5 To be cut to measure.
- Packing: 1 per box



Split - Profile to hold bridging units

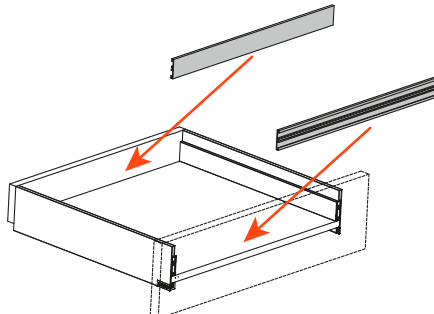
ADPP2X_1200XXXX

- Profile to hold bridging units to be fixed on the drawer by magnets or adhesive cover caps.
- Outside dimensions (mm) 1200x6 H 45.6. To be cut to measure.
- Packing: 1 box contains 9 profiles, 36 magnets and adhesive cover caps.
- Finishes: Stainless steel, Champagne, Titanium, White



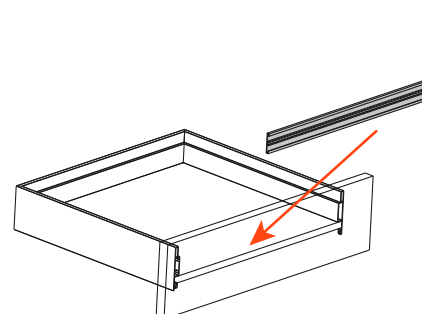
WOODEN DRAWER

- For horizontal bridging units:
 - 2 profiles (right and left)
- For vertical bridging units:
 - 2 profiles (front and back)



LINEABOX DRAWER - 2-SIDED

- For vertical bridging units:
 - 2 profiles (front and back)

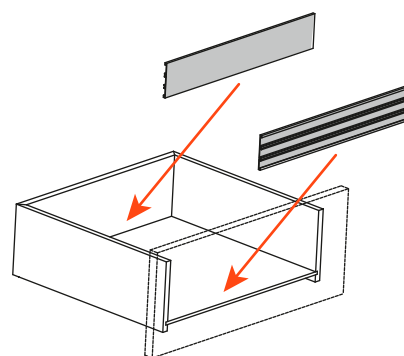


LINEABOX DRAWER - 3-SIDED

- For vertical bridging units:
 - 1 profile (front)

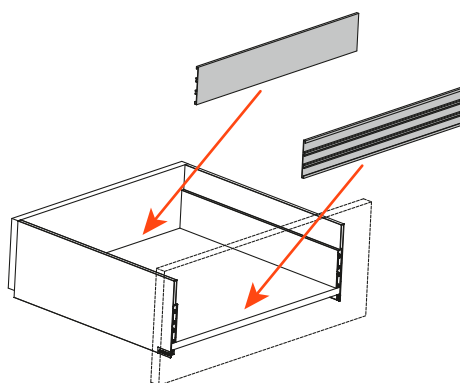
ADPP3X_1200XXXX

- Profile to hold bridging units to be fixed on the drawer by magnets or adhesive cover caps.
- Outside dimensions (mm) 1200x6 H 89.8. To be cut to measure.
- Packing: 1 box contains 9 profiles, 36 magnets and self-adhesive cover caps.
- Finishings: Stainless steel, Champagne, Titanium, White



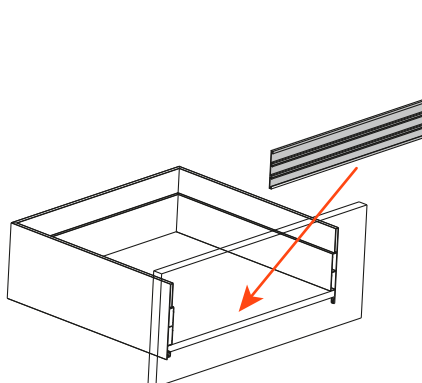
WOODEN DRAWER

- For horizontal bridging units:
 - 2 profiles (right and left)
- For vertical bridging units:
 - 2 profiles (front and back)



LINEABOX DRAWER - 2-SIDED

- For vertical bridging units:
 - 2 profiles (front and back)



LINEABOX DRAWER - 3-SIDED

- For vertical bridging units:
 - 1 profile (front)

Split - Bridging Units - Applications

Application of the horizontal bridging unit on the Lineabox drawer, 2- and 3-sided

The bridging unit sits on the step of the Lineabox side.



Application of the vertical bridging unit on the Lineabox drawer, 2-sided

Insert the front and back profile to hold the bridging unit. The bridging unit sits on the inserted profiles.



Application of the vertical bridging unit on the Lineabox drawer, 3-sided

Insert the front profile to hold the bridging unit. The bridging unit sits on the step of the Lineabox side and on the front profile.



Application of the horizontal bridging unit on a wooden drawer or on any other kind of drawer

Insert the right and left holder of the bridging unit. The bridging unit sits on the inserted profiles.



Application of the vertical bridging unit on a wooden drawer or on any other kind of drawer

Insert the front and back holder of the bridging unit. The bridging unit sits on the inserted profiles.

