

# Lineabox - Under-sink drawer - 3-sided - H 104 mm

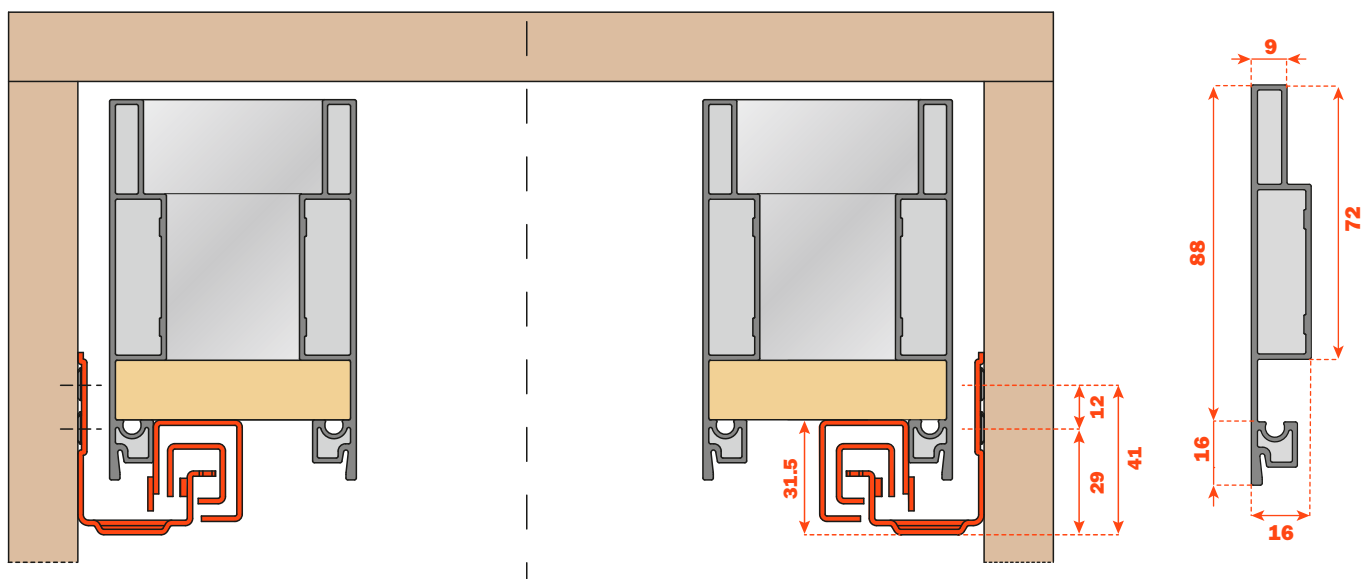


**Height of the side 104 mm - Internal height 72 mm.**  
**For use with Futura full-extension runners: 655 - 6557 - 6555**  
**(consult the general catalogue "Runners and drawers").**

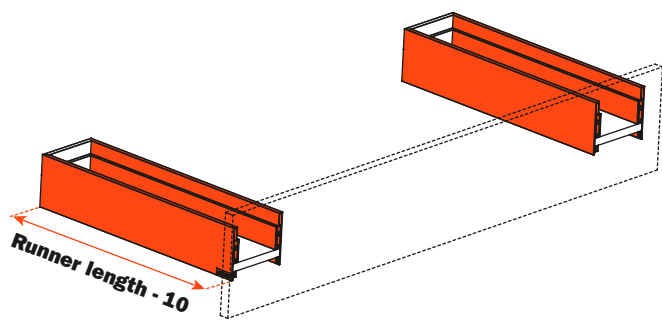
- Rapid assembly system, with no machinery or templates needed.
- Rapid mounting and removal of drawer frontal.
- The back can be personalised according the width of the cabinet.
- Height, sideways and depth adjustment of the drawer incorporated in the runner fixing clips.
- Bottom thickness:
  - 16 mm
  - 15 mm with insert SMGP15X4XA
- Material: Aluminium
- Sides and back: 45° mitre cut end
- Finishes:
  - Stainless steel
  - Champagne
  - Titanium
  - White

## Dimensions with Futura full-extension runners

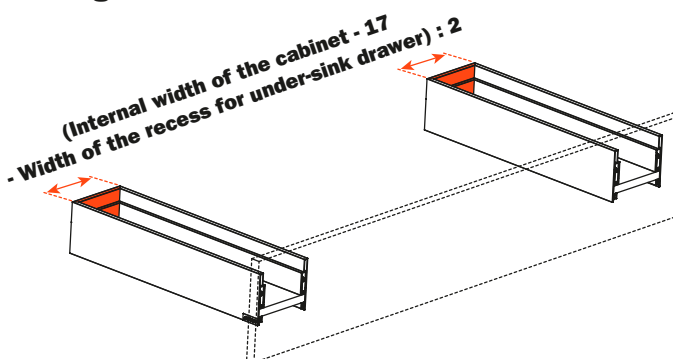
## Thickness of the metal side



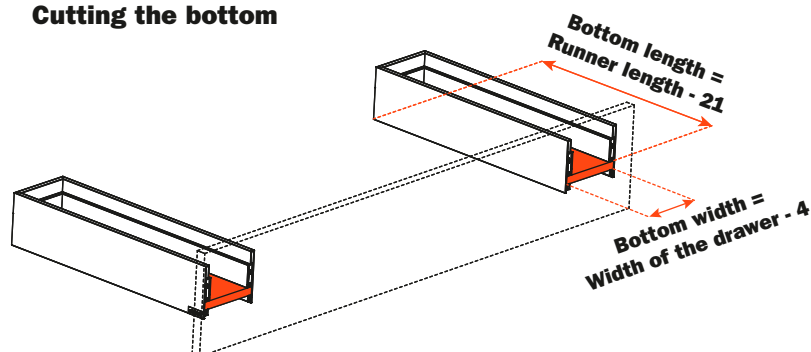
## Cutting the sides



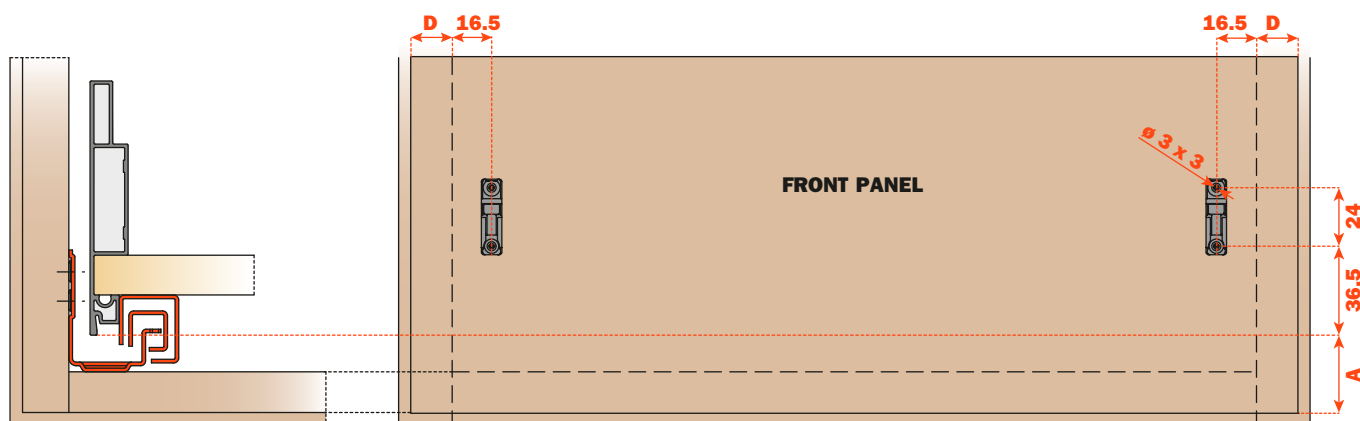
## Cutting the back



## Cutting the bottom



Frontal drilling



Elements of the drawer

- |   |                                |
|---|--------------------------------|
| <b>1</b> Frontal connecting fitting <b>AMGPXA3</b>  | Nr. 4 pcs.                     |
| <b>2</b> Frontal fixing <b>SMGP12A3XA</b>   | Nr. 4 pcs.                     |
| <b>3</b> Left back connecting fitting <b>AMGPSP3</b>  | Nr. 2 pcs.                     |
| <b>4</b> Right back connecting fitting <b>AMGPDP3</b>   | Nr. 2 pcs.                     |
| <b>5</b> Medium corner connector <b>SMGP89P3MA</b>  | Nr. 4 pcs.                     |
| <b>6</b> Cover cap<br>(With embossed logo <b>SCCX83H9</b> - With silk-screen printed logo <b>SCXX83H9</b> ) | Nr. 2 pcs. (optional)          |
| <b>7</b> Reinforcing supports for the bottom of the drawer <b>AMSRX33</b>                                   | Nr. 2 Sets = 6 pcs. (optional) |

