

Lineabox - Under-sink drawer - 2-sided - H 77 mm

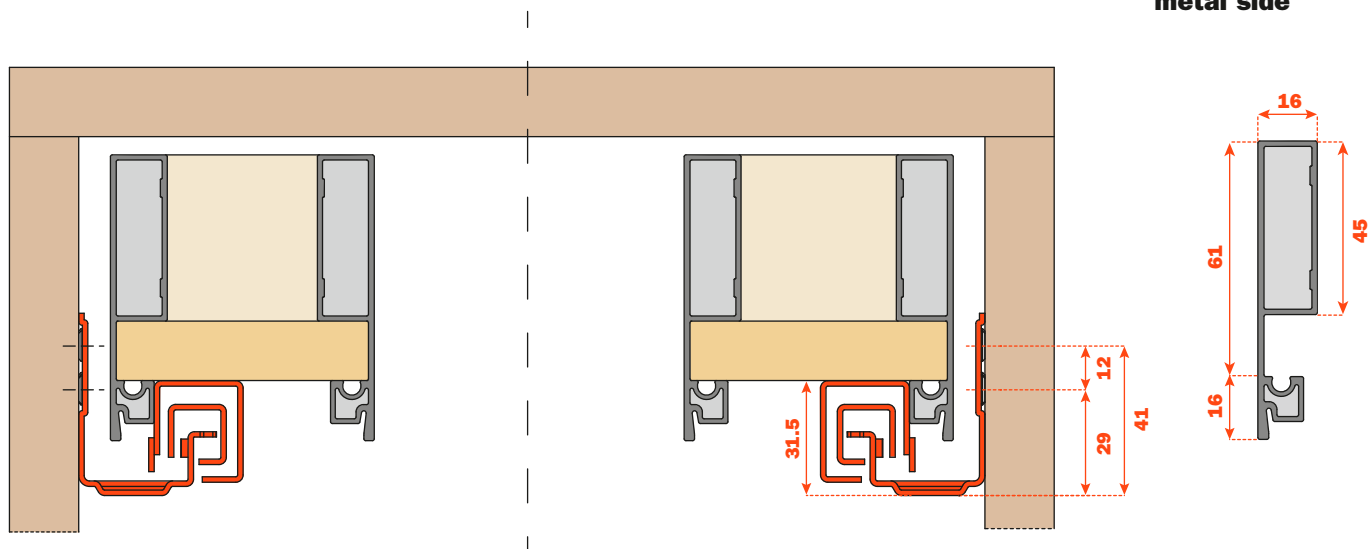


Lineabox metal sides, wooden frontal and back panel.
Height of the side 77 mm - Internal height 45 mm.
For use with Futura full-extension runners: 655 - 6557 - 6555
(consult the general catalogue "Runners and drawers").

- Rapid assembly system, with no machinery or templates needed.
- Rapid mounting and removal of drawer frontal.
- Height, sideways and depth adjustment of the drawer incorporated in the runner fixing clips.
- Bottom thickness:
 - 16 mm
 - 15 mm with insert SMGP15X4XA
- Material: Aluminium
- Sides: 90° cut end
- Finishes:
 - Stainless steel
 - Champagne
 - Titanium
 - White

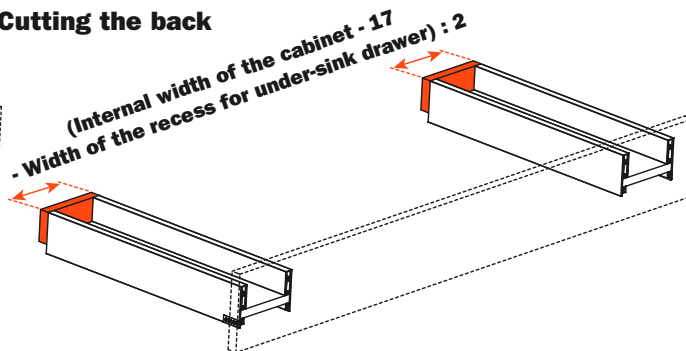
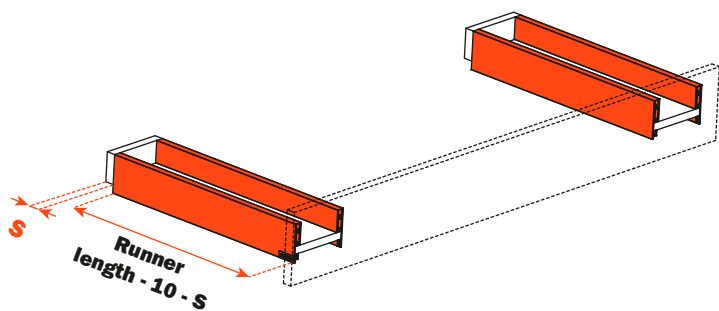
Dimensions with Futura full-extension runners

Thickness of the metal side

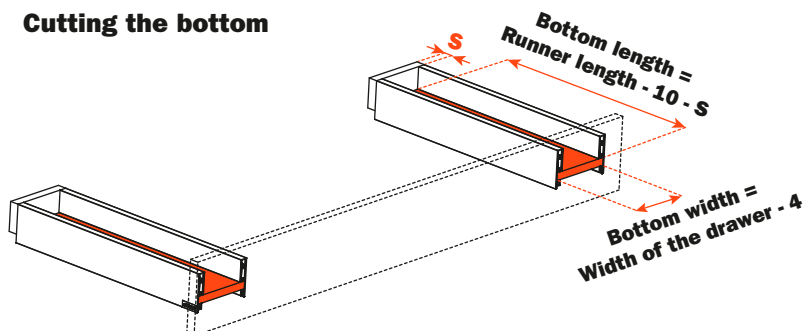


Cutting the sides

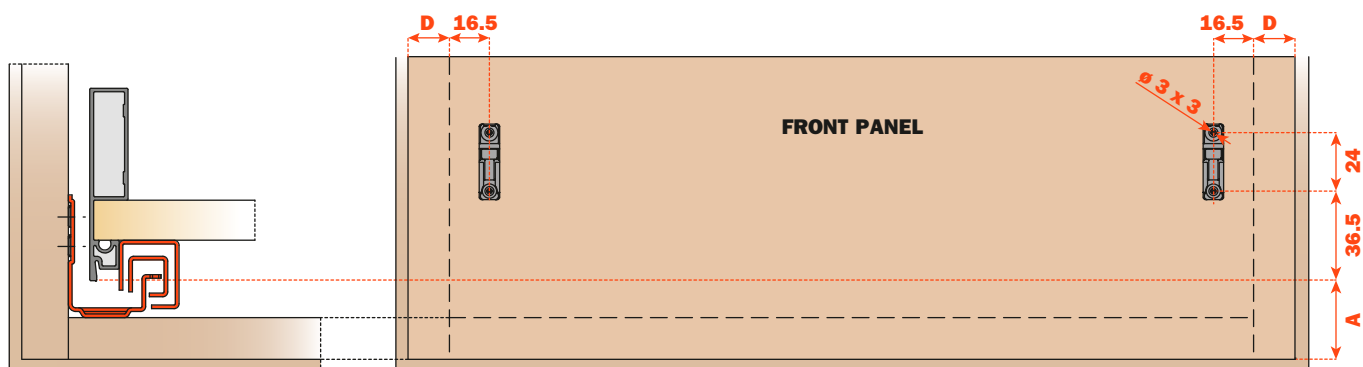
Cutting the back



Cutting the bottom



Frontal drilling



Back drilling



Elements of the drawer

- | | |
|---|-----------------------|
| 1 Frontal connecting fitting AMGPXA3 | Nr. 8 pcs. |
| 2 Frontal fixing SMGP12A3XA | Nr. 8 pcs. |
| 3 Cover cap
(With embossed logo SCCX83H9 - With silk-screen printed logo SCXX83H9) | Nr. 2 pcs. (optional) |

