



**Pocket Door System**  
***SALICE***



# Pocket Door System



# Pocket Door System



**Salice Pocket Door System smooth lateral assisted positive opening and cushioned soft-close movements, which are controlled by a safety device.**

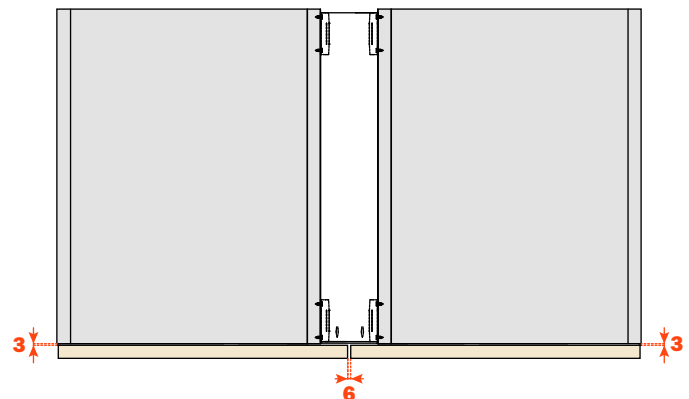
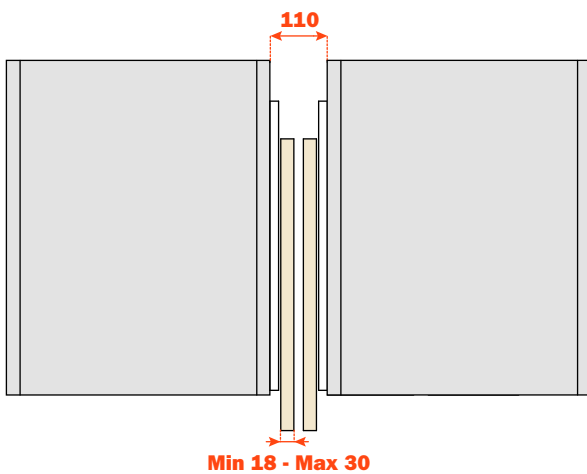
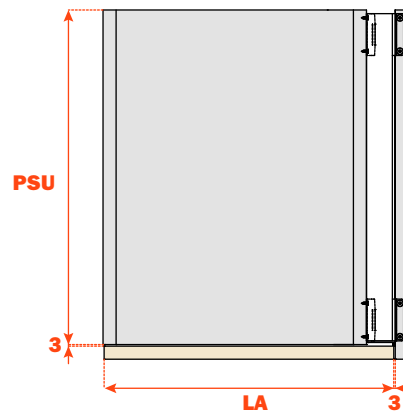
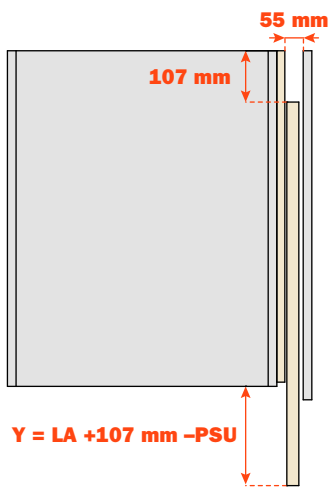
## Product overview

### Mechanism elements

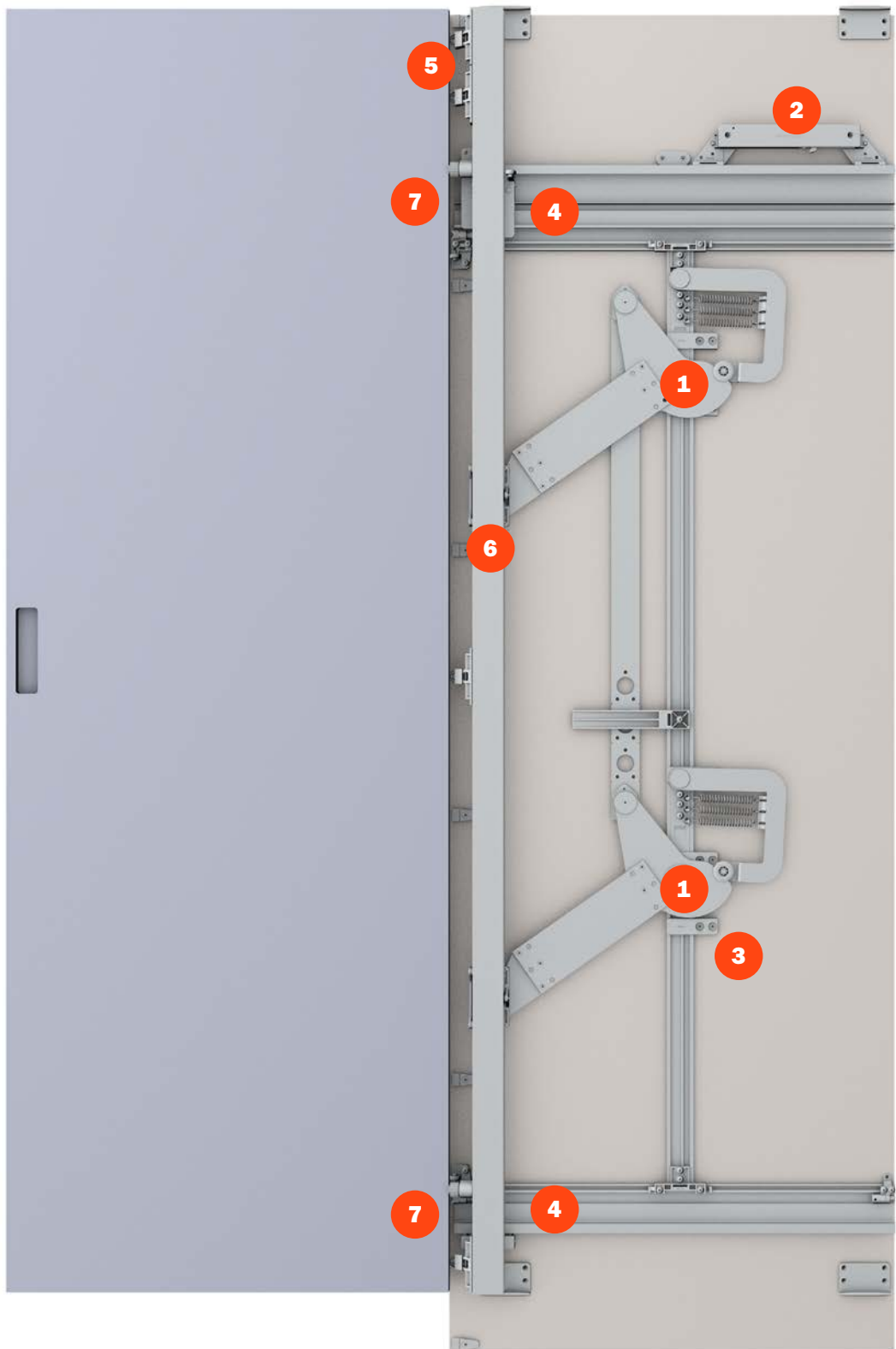
- Aluminium profiles: 6060T5 alloy, silver anodized.
- Components made of plastic, steel and zinc alloy.

### Door features

- Maximum weight for each door\* 66 lbs (30 kg) (distributed evenly).
- Thickness:
  - minimum 19 mm (3/4");
  - maximum 30 mm (1-3/16").
- Width:
  - minimum 400 mm (15-3/4");
  - maximum 900 mm (35-7/16").
- Height:\*\*
  - minimum 1550 mm (61-1/32");
  - maximum 2500 mm (98-7/16").
- Door vertical adjustment +4/-1 mm.
- Door horizontal adjustment  $\pm 2$  mm.
- Door front adjustment  $\pm 4$  mm.
- Assisted door extraction movement.
- Soft closing buffer.
- Material:
  - a) wood or derivatives;
  - b) metal and glass frame;



- 1 Patented cam movement with assisted door insertion and extraction.
- 2 Soft closing buffer.
- 3 Mounting with clips to facilitate extraction of the mechanism in case of maintenance.
- 4 Sliding carriage.
- 5 Quick coupling hinges.
- 6 Front adjustments on the hinge coupling column.
- 7 Profile cover caps (included in the standard versions).

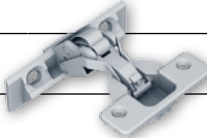


# Pocket Door System

The mechanism is cut to size based to desired length and delivered partially assembled.

A cam-carriage connection (tab. 1) must be ordered together with the mechanism kit (tab. 2) according to the utilized depth of the cabinet structure (PSU) and the height of the door (HA). Refer to the installation manual for the assembly operations.


## Calculating the minimum structure dimensions

		PSU* (mm)												
		400-500		501-600		601-700		701-800		801-900				
HA (mm)		Min	Max	Min	Max	Min	Max	Min	Max	Min	Max			
		1546	1696	1668	1757	1790	1879					3 x		<b>max 18 kg</b>
		1697	2091	1758	2152	1880	2213	2002	2274	2124	2335	4 x		<b>max 24 kg</b>
		2092	2500	2153	2500	2214	2500	2275	2500	2336	2500	5 x		<b>max 30 kg</b>


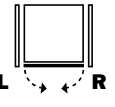
**PSU\*** = Utilised Depth of Cabinet Structure

**PS\*\*** = Depth of Cabinet Structure

## Cam-carriage connection (tab.1)

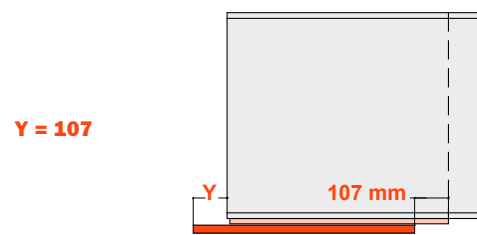
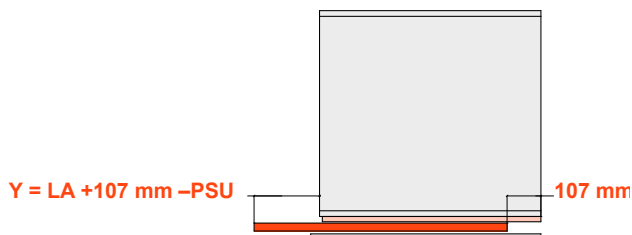
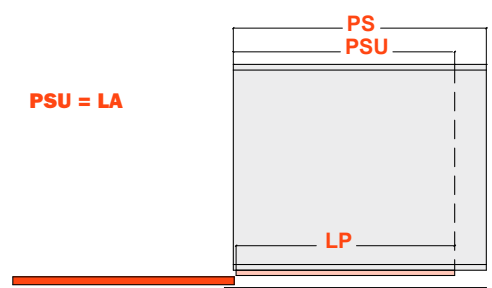
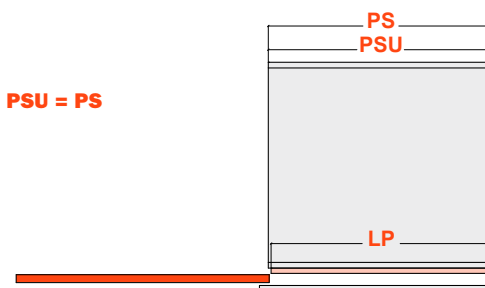
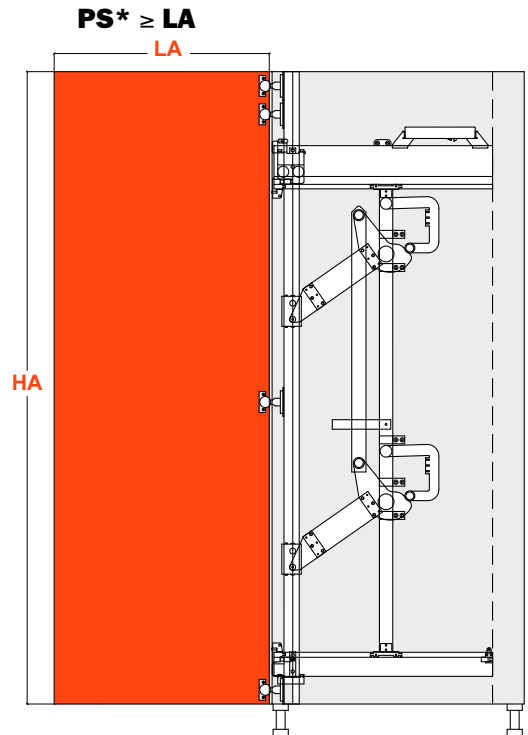
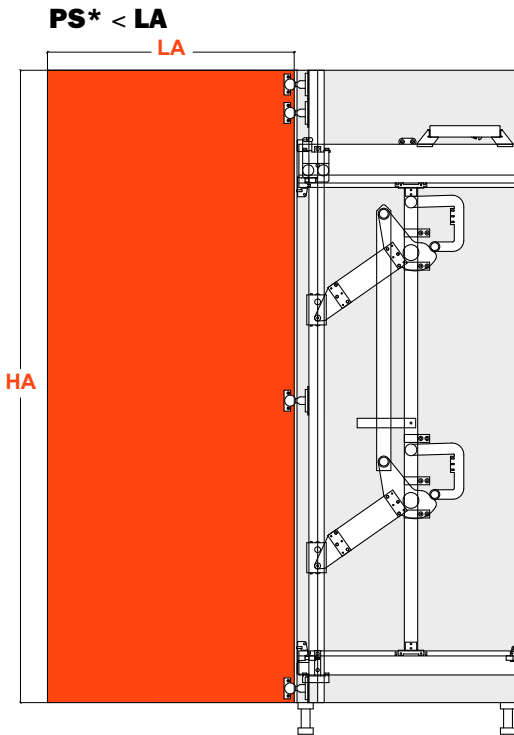
	Cod.	PSU (mm)	HA (mm)			(kg)	(mc)	(mm)
			max 3	max 4	max 5			
 x 2								
	<b>YE55KIT0101</b>	400-500	1546	1697	2092	0.65	0.001	285x40x100
	<b>YE55KIT0102</b>	501-600	1668	1758	2153	0.80	0.001	285x40x100
	<b>YE55KIT0103</b>	601-700	1790	1880	2214	1.00	0.001	285x40x100
	<b>YE55KIT0104</b>	701-800		2002	2275	1.25	0.001	405x40x100
	<b>YE55KIT0105</b>	801-900		2124	2336	1.50	0.001	405x40x100

## Mechanism KIT (tab.2)

	Cod.	 L R	HA (mm)	Kg	Mc	mm
	<b>YE55AAD2500SA</b>	<b>Right</b>	<b>1550 - 2500</b>	<b>16</b>	<b>0.09</b>	<b>415 x 105 x 2600</b>
	<b>YE55AAS2500SA</b>	<b>Left</b>				

## CODE REFERENCES

- PS** Cabinet depth
- PSU** Utilized cabinet depth
- LA** Door width
- HA** Door height
- LP** Horizontal profile length
- Y** External door protrusion



## Accessories

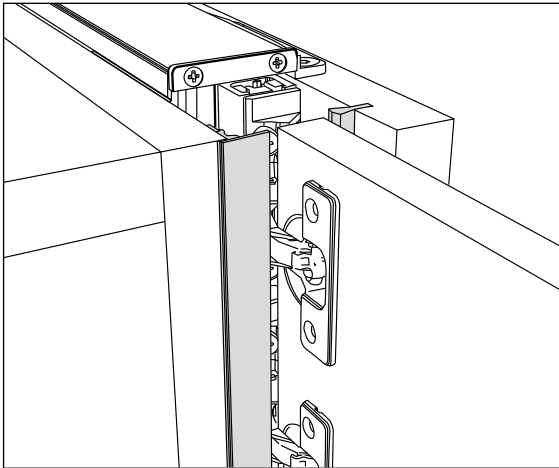


### Structure lateral connection

	Cod.	PS (mm)	(kg)	(mc)	(mm)
	<b>YE55KIT0001</b>	400 - 650	0.85	0.003	90x45x770
	<b>YE55KIT0002</b>	650 - 900	1.0	0.004	90x45x1020
	<b>YE55KIT0005</b>	400 - 650	0.85	0.003	90x45x770
	<b>YE55KIT0006</b>	650 - 900	1.0	0.004	90x45x1020
	<b>YE55KIT0003</b>	400 - 650	1.5	0.003	130x45x770
	<b>YE55KIT0004</b>	650 - 900	1.8	0.004	130x45x1020

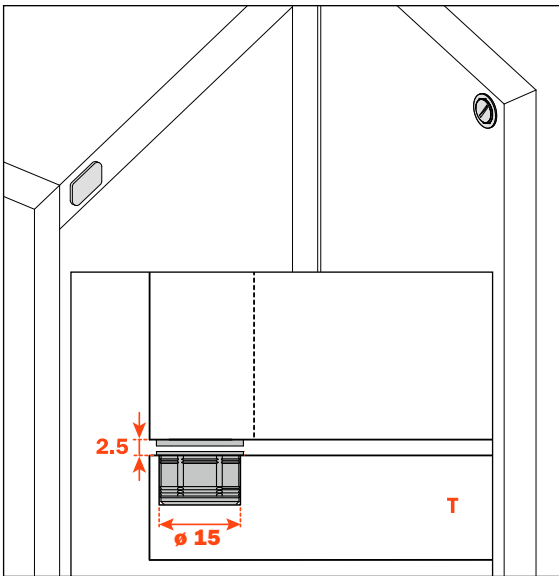


## Accessories

### Front cover kit

	Cod.	$\overleftrightarrow{L}$ (m)		(kg)	(mc)	(mm)
	<b>YE55KIT0201</b>	2.6			0.7	0.03
<b>YE55KIT0202</b>	2.6			0.7	0.03	100x100x2700

### Magnetic kit for door and structure

	Cod.	pz	(kg)	(mc)	(mm)
	<b>DP39XXG + DP38XX91</b>	1 each		0.007 0.0016	

Lined area for writing notes.



A series of horizontal lines for writing, consisting of 30 evenly spaced lines across the page.

**SALICE AMERICA INC.**

2123 CROWN CENTRE DRIVE

CHARLOTTE NC. 28227

TEL. 704 8417810 - 1800 222 9652

FAX 704 8417808

info.salice@saliceamerica.com

www.saliceamerica.com